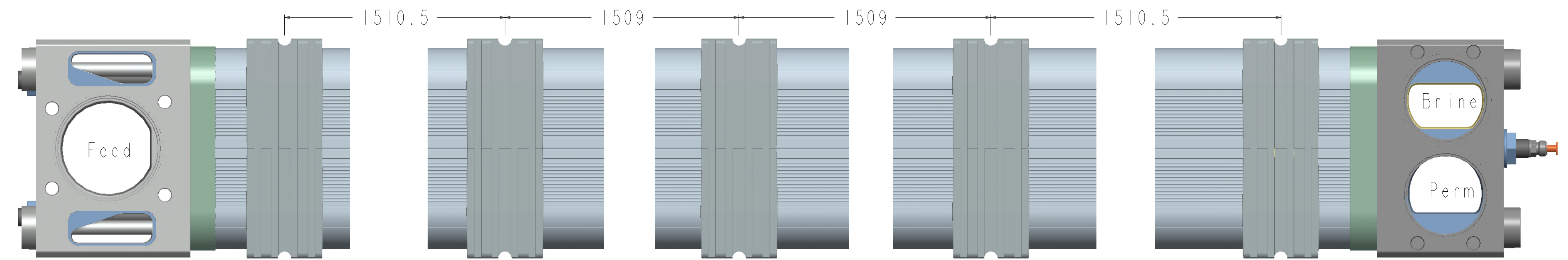


Pos	PART #	PART #	MATERIAL
<b>ELEMENT INTERFACE</b>			
9.1**	78AD0xx		PVC*
9.2**	78AD0xx/C		PVC*
<b>SUPPORT</b>			
11	78SPACE_XP	Spacer downstream	KNPP_05
11.1	78Space_Q4	diffuser feed	KNPP_05
12	A8Saddle_XT	Saddle	KFN1525

\* possible replacement without notice : PVC with KNPP

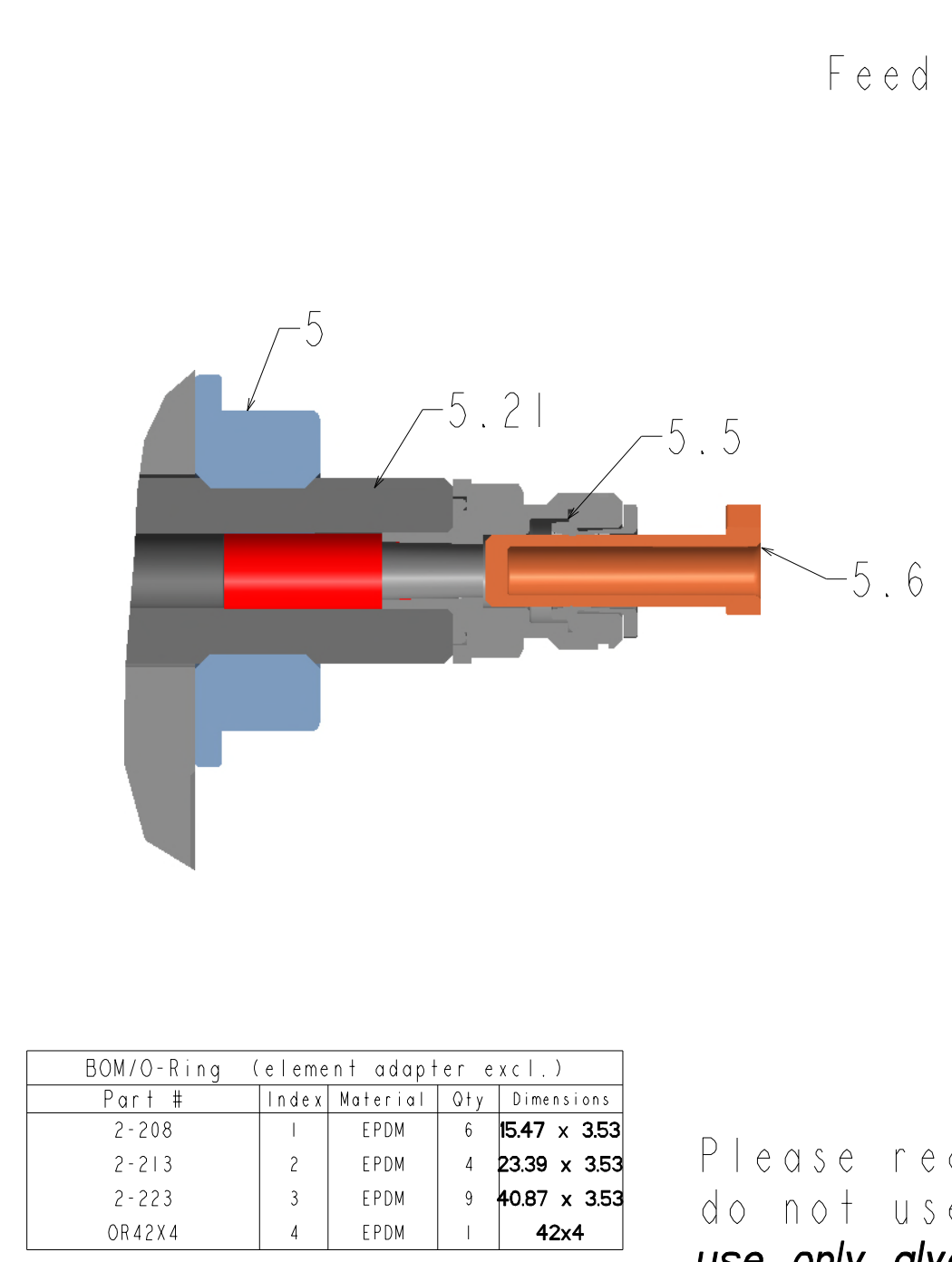


A8HEAD_Q3SW				
POS	Part #	Description	Material	Qty
4.10	78BPL/Q3	sealing plate	HIPS	1
4.40	78BPLDIST-Q3	distance plate	RYPP_02	2
5.00	78NUT05Z	nut for compress.bar	PA-GF	1
5.21	78BPL-bar	compress.bar	PPE_PS20	1
5.50	78PSADG1/4	probing 1/4BSP-hose 8mm	POM	1
5.60	78PS8PLUG	plug for probing fitting	POM	1
7.00	78Lip-XT	Lip seal for head	TPE_LTP	1
8.00	78HPint-Q3	internal HP port	PVC	1
8.10	68SEC45PP*	clip ring 45mm (optional)	KNPP_02	1
8.20	78HP/QXDIA*	flow regulator (optional)	PVC	1

A8HEAD_Q4SW				
POS	Part #	Description	Material	Qty
4.20	78BPL_Q4	sealing-/backplate Q4	HIPS	1
4.30	78BPLDIST_Q4	distace plate	RYPP_02	2
5.00	78NUT05Z	nut for compress.bar	PA-GF	2
5.20	78BPL-BAR/CL	compression bar	PPE_PS20	2
7.00	78Lip-XT	Lip seal for head	TPE_LTP	1
8.10	68SEC45PP*	clip ring 45mm (optional)	KNPP_02	1
8.20	78HP/QXDIA*	flow regulator (optional)	PVC	1

Liner: PVC or PP without notice  
coupler for permeate sampling G1/4in male thread  
8mm PE hose



BOM/O-Ring (element adapter excl.)				
Part #	Index	Material	Qty	Dimensions
2-208	1	EPDM	6	1547 x 353
2-213	2	EPDM	4	2339 x 353
2-223	3	EPDM	9	4087 x 353
OR42X4	4	EPDM	1	42x4

Feed and Brine port can be also installed in bottom position  
6 module housings:  
\* for columns with 5 housings use 5saddles  
one additional saddle is installed in the middle  
use dimensions (1510) in brackets

Please read installation & operation manual  
do not use hydrocarbons nor vaseline  
use only glycerin for O-ring lubrication

Max: Working Pressure (bar/PSI)	84/1200
Max. Working Temp. (°C / °F)*	45 / 113
Min. Working Temp. (°C / °F)*	2 / 36
Max Test Pressure acc. (ASME X) (bar/PSI)	92.5/1320

Xtype Q3SW Dimensions - SERIES 8 inch					
Element	Vessel #	L-HP [mm]	weight [kg]	saddles [pcs]	Tot L-HP [mm]
6	XT826M-Q3SW	6432		5	47-2

Assembly #	weight[kg]
BODY	76
TIEBAR	91
PARTS	26

SW 0-84bar	PAGE: 1/3
Eng. Mgr	SIG: AssRev
DATUM:	REV:
10.02.18	2
02.03.21	3-1
26.08.21	4

**AnyChem**  
by **Knappe Composites**™  
Pressure Vessels

XT8Z6M5-Q4SW

Name	XT8Z6M5-Q4SW_R4	Scale: none
------	-----------------	-------------