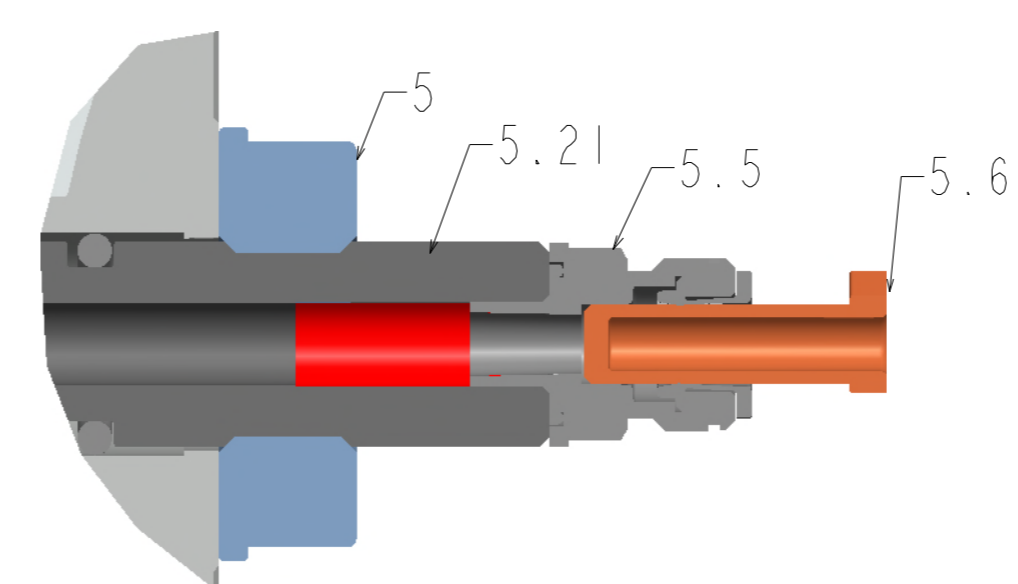
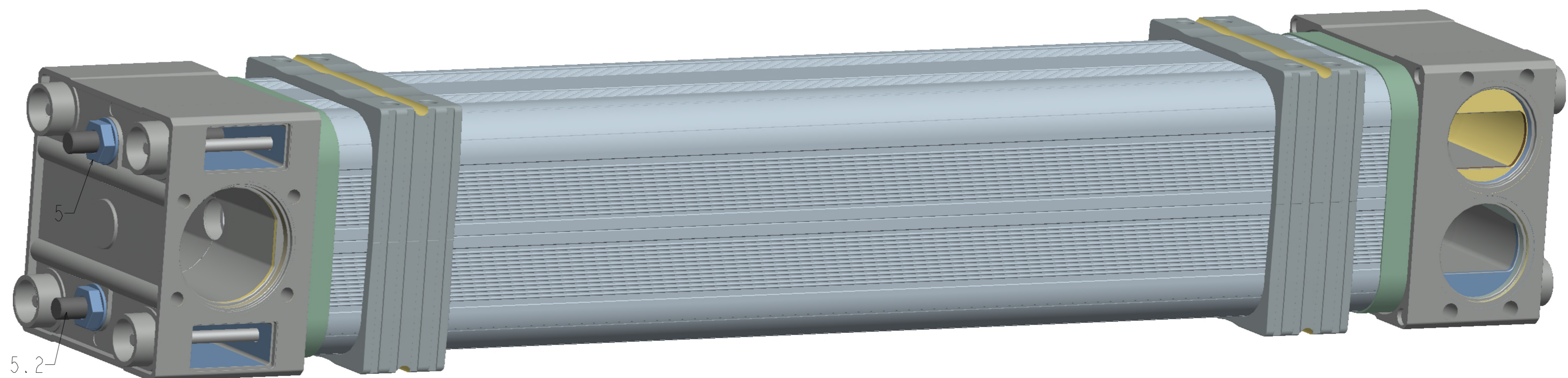


Pos	PART #	PART #	MATERIAL
<b>ELEMENT INTERFACE</b>			
9.1**	78AD0xx		PVC*
9.2**	78AD0xx/C		PVC*
9.3**	78AD_Q3_BPL-Plug		PVC
<b>SUPPORT</b>			
11	78SPACE_XP	Spacer downstream	KNPP_05
11.1	78Space_Q4	diffuser feed	KNPP_05
12	ABSaddle_XT	Saddle	KFN1525
* possible replacement without notice : PVC with KNPP			

A8HEAD_Q3BW				
POS	Part #	Description	Material	Qty
3.00	Din127_m12	spring washer	SS	4
3.10	Nut DIN934_m12	nut	SS_316L	4
4.10	78BPL/Q3	sealing plate	HIPS	1
4.40	78BPLDIST-Q3	distance plate	RYPP_02	2
5.00	78NUT05Z	nut for compress.bar	PA-GF	1
5.21	78BPL-bar	compress.bar	PPE_PS20	1
5.50	78PSADG1/4	probing 1/4BSP-hose 8mm	POM	1
5.60	78PS8PLUG	plug for probing fitting	POM	1
7.00	78Lip-XT	Lip seal for head	TPE_LTP	1
8.00	78HPint-Q3	internal HP port	PVC	1
8.10	68SEC45PP*	clip ring 45mm (optional)	KNPP_02	1
8.20	78HP/QXDIA*	flow regulator (optional)	PVC	1

A8HEAD_Q4BW				
POS	Part #	Description	Material	Qty
4.20	78BPL_Q4	sealing-/backplate Q4	HIPS	1
4.30	78BPLDIST_Q4	distace plate	RYPP_02	2
5.00	78NUT05Z	nut for compress.bar	PA-GF	2
5.20	78BPL-BAR/CL	compression bar	PPE_PS20	2
7.00	78Lip-XT	Lip seal for head	TPE_LTP	1
8.10	68SEC45PP*	clip ring 45mm (optional)	KNPP_02	1
8.20	78HP/QXDIA*	flow regulator (optional)	PVC	1

\*\* optional (different sizes / materials available)  
 Liner: PVC or PP without notice  
 \*\*\* closed adapter 9.2 & 9.3 can be replaced by open adapter 9.1  
 \*\*\*\* coupler for permeate sampling G1/4in male thread 8mm PE hose



DETAIL A  
SCALE 1.300

BOM/O-Ring (element adapter excl.)					
Part #	Index	Material	Qty	Dimensions	
2-208	1	EPDM	6	1547 x 353	
2-213	2	EPDM	2	2339 x 353	
2-223	3	EPDM	8	4087 x 353	
OR42X4	4	EPDM	1	42x4	

Please read installation & operation manual  
 do not use hydrocarbonic chemicals nor vaseline  
 use only glycerin for O-ring lubrication

weights [kg]	
SUW_BODY	13
SUW_TIEBAR	10
SUW_PARTS	23

Max: Working Pressure (bar/PSI)	31/450
Max. Working Temp. (°C / °F)*	45 / 113
Min. Working Temp. (°C / °F)*	2 / 36
Max Test Pressure acc. (ASME X) (bar/PSI)	34.1/495
short term steam sanitizing possible	

Dimensions Xtype Q3-SERIES 8 inch BW						
Elem. 40in	Vessel #	L-HP [mm]	L-body [mm]	weight [kg]	saddles [pcs]	Tot L-HP [mm]
1	XT8ZIM-Q4BW	1332.5	1199	table	2	-1/41 for1-4c1

BW 0-31bar/450psi		PAGE: 1/2		<b>AnyChem</b> by <b>Knappe Composites</b>		Pressure Vessels	
Eng. Mgr	AssRev	DATUM:	REV:	<div style="text-align: center; font-size: 2em;">XT8ZIM-Q4BW</div>			
		25.05.16	2				
		22.03.19	3				
		16.09.21	4				
Name		XT8ZIM-Q4BW_R4		Scale:none			