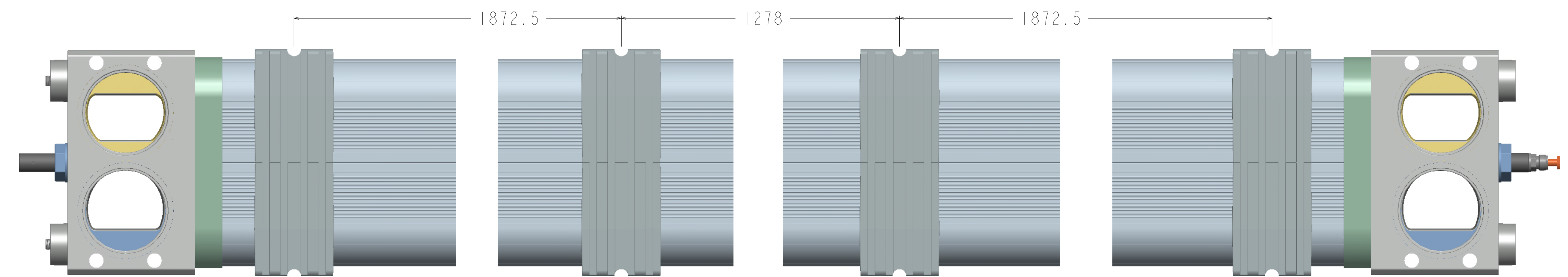


Pos	PART #	PART #	MATERIAL
<b>ELEMENT INTERFACE</b>			
9.1**	78ADQxx		PVC*
9.2**	78ADQxx/C		PVC*
9.3**	78AD_Q3-BPL-Plug		PVC
<b>SUPPORT</b>			
11	78SPACE_XP	Spacer downstream	KNPP_05
11.1	78Space_Q4	diffuser feed	KNPP_05
12	A8Saddle_XT	Saddle	KFN1525

\* possible replacement without notice : PVC with KNPP

A8HEAD_Q3BW				
POS	Part #	Description	Material	Qty
3.00	Din127_m12	spring washer	SS	4
3.10	Nut DIN934_m12	nut	SS_316L	4
4.10	78BPL/Q3	sealing plate	HIPS	1
4.40	78BPLDIST-Q3	distance plate	RYPP_02	2
5.00	78NUT05Z	nut for compress.bar	PA-GF	1
5.21	78BPL-bar	compress.bar	PPE_PS20	1
5.50	78PSADG1/4	probing 1/4BSP-hose 8mm	POM	1
5.60	78PS8PLUG	plug for probing fitting	POM	1
7.00	78Lip-XT	Lip seal for head	TPE_LTP	1
8.00	78HPint-Q3	internal HP port	PVC	1
8.10	68SEC45PP*	clip ring 45mm (optional)	KNPP_02	1
8.20	78HP/QXDIA*	flow regulator (optional)	PVC	1

A8HEAD_Q3BW-F				
POS	Part #	Description	Material	Qty
3.00	Din127_m12	spring washer	SS	4
3.10	Nut DIN934_m12	nut	SS_316L	4
4.10	78BPL/Q3	sealing plate	HIPS	1
4.40	78BPLDIST-Q3	distance plate	RYPP_02	2
5.00	78NUT05Z	nut for compress.bar	PA-GF	1
5.20	78BPL-BAR/CL	compression bar	PPE_PS20	1
7.00	78Lip-XT	Lip seal for head	TPE_LTP	1
8.00	78HPint-Q3	internal HP port	PVC	1
8.10	68SEC45PP*	clip ring 45mm (optional)	KNPP_02	1
8.20	78HP/QXDIA*	flow regulator (optional)	PVC	1
9.30	78AD/Q3/XT	P-plug for Q3 head	PVC	1



\*\* optional (different sizes available)  
\* optional to be ordered separately

BOM/O-Ring					
Part #	Index	Material	Qty	Dimensions	
2-208	1	EPDM	4	1547 x 353	
2-213	2	EPDM	2	2339 x 353	
2-223	3	EPDM	12	4087 x 353	
OR42X4	4	EPDM	2	42x4	

Please read installation & operation manual  
do not use hydrocarbonic chemicals nor vaseline  
use only glycerin for O-ring lubrication

weights [kg]	
BODY	52
TIEBAR	43
PARTS	27

Max: Working Pressure (bar/PSI)	31/450
Max. Working Temp. (°C / °F)*	45 / 113
Min. Working Temp. (°C / °F)*	2 / 36
Max Test Pressure acc. (ASME X) (bar/PSI)	34.1/495

short term steam sanitizing possible

Dimensions Xtype Q3-SERIES 8 inch BW						
Elem. 40in	Vessel #	L-HP [mm]	L-body [mm]	weight [kg]	saddles [pcs]	Tol L-HP [mm]
5	XT8Z5M-Q3BW	5395	5261	table	4	-1.5/+1.5 for 5-6el

BW		PAGE: 1/2	
Eng. Mgr	AssRev	DATUM:	REV:
		05.02.17	2
		22.03.19	3
		19.09.21	4

**AnyChem**  
by **Knappe Composites**™  
Pressure Vessels

XT8Z5M-Q3BW

Name	XT8Z5M-Q3BW_R4	Scale: none
------	----------------	-------------