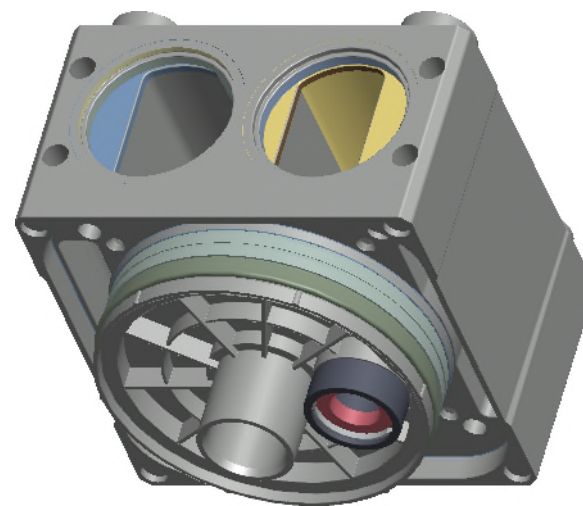


A8HEAD_Q3BW				
POS	Part #	Description	Material	Qty
4.10	78BPL-Q3	Sealing plate	HIPS	1
4.40	78BPLDIST-Q3	distance plate	RYPP_02	2
5.00	78NUT05Z	nut for compress.bar	PA-GF	1
5.21	78BPL-bar	compress.bar	PPE_PS20	1
5.50	78PSADG1/4	probing 1/4BSP-hose 8mm	POM	1
5.60	78PS8PLUG	plug for probing fitting	POM	1
8.00	78HPint-Q3	internal HP port	PVC	1
8.10	68SEC45PP	clip ring 45mm (optional)	KNPP_02	1
8.20	78HP/QXDIA	flow regulator (optional)	PVC	1



BOM/O-Ring				
Part #	Index	Material	Qty	Dimensions
2-208	1	EPDM	2	15.47 x 3.53
2-223	2	EPDM	5	40.87 x 3.53
OR42X4	3	EPDM	1	42x4

Knappe Composites

A8HEAD/Q3BW & A8Head/Q3SW	Mat:		
	DATUM:	REV:	:
	25.06.18	5	
	15.04.19	7	
Namex LODE_A8HEAD-Q3XW_PUB Page		1 / 1	