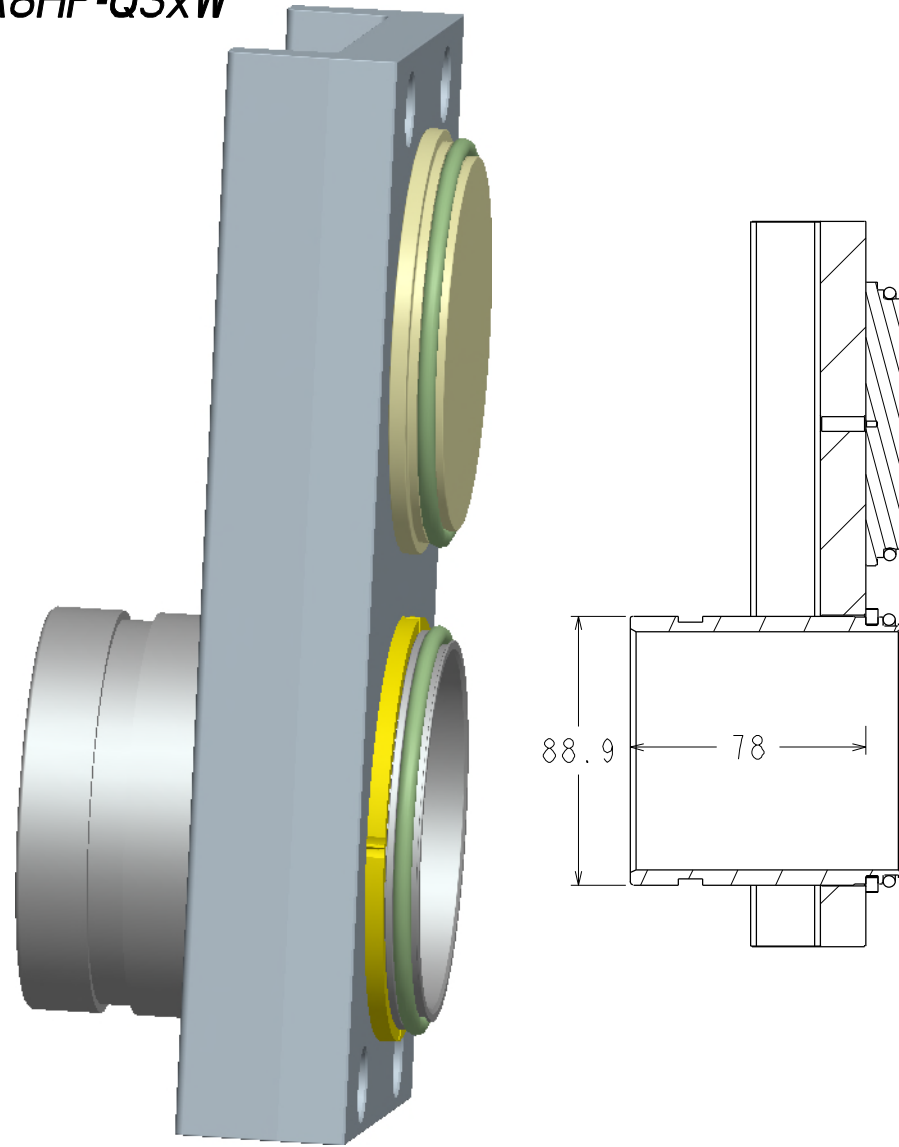
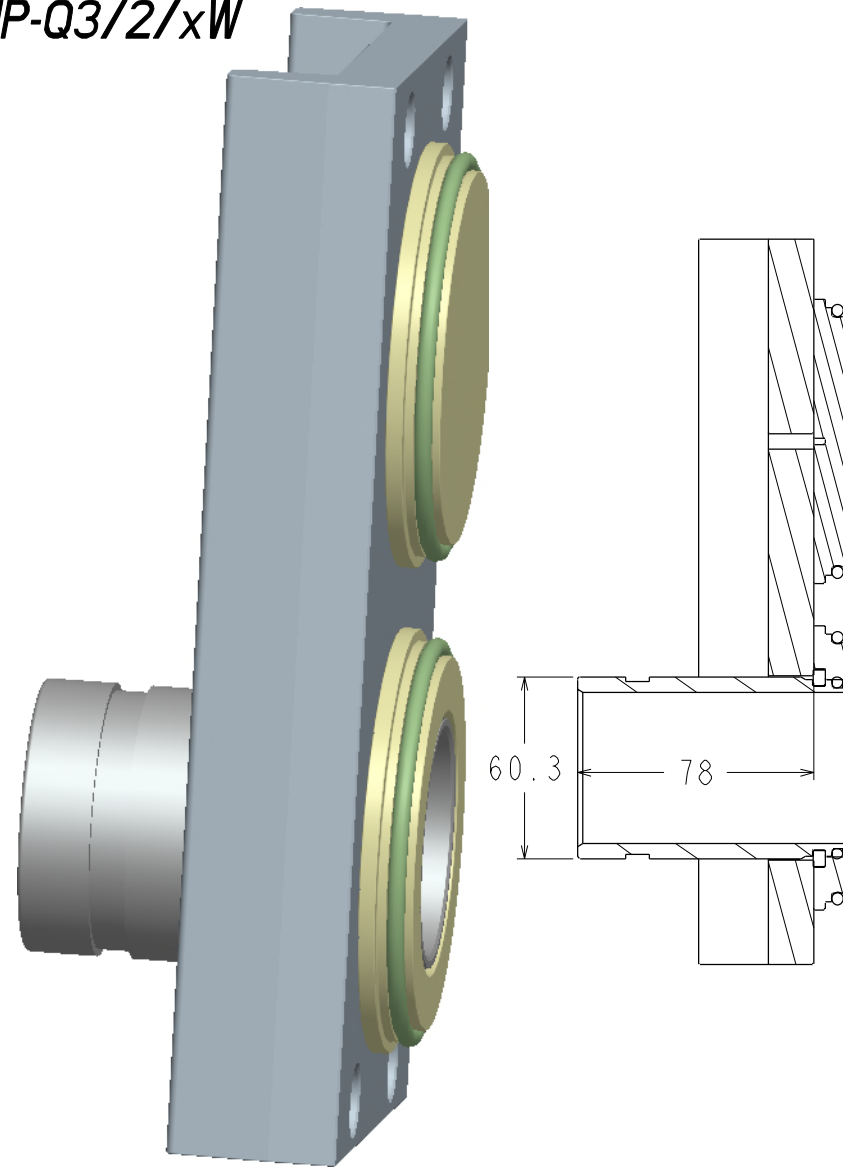


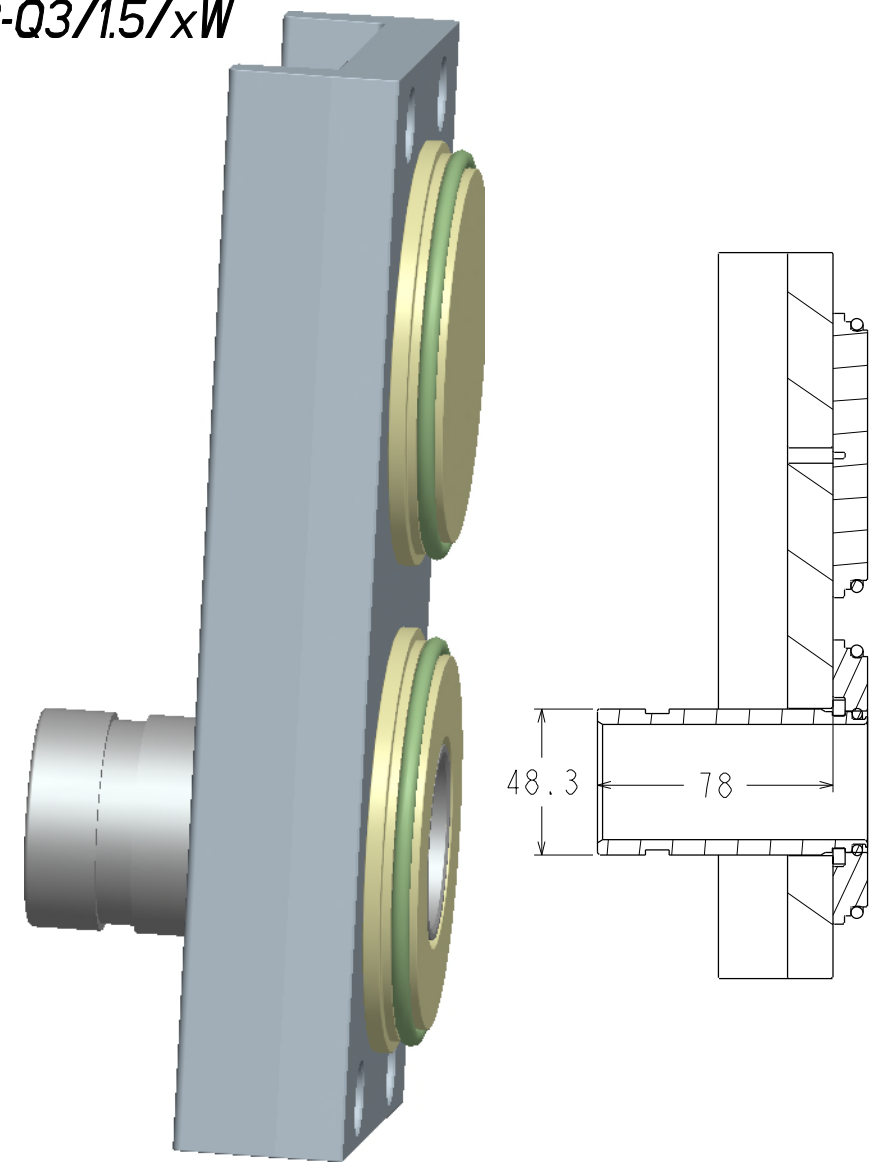
A8HP-Q3xW



A8HP-Q3/2/xW



A8HP-Q3/15/xW



BOM-A8HP-Port		Material - - Weight			
Part #	Index	Material	Mat.ACS	Qty	Weight[kg]
78HP/3in/xW	1	316/2507	316	1	0.822
78HPBACK-Q3/CL	2	PVC	KNPP_02	1	0.097
78HPsec/3in	3	SS_316L		2	0.023
78KPL-Q3/xW	4	AL6082		1	1.273
Total					2.2

BOM/O-Ring				
Part #	Index	Material	Qty	Dimensions
OR78X4	1	EPDM	2	78x4

BOM-A8HP-Port		Material - - Weight			
Part #	Index	Material	Mat.ACS	Qty	Weight[kg]
78HP/3in/xW	1	316/2507	316	1	0.822
78HPBACK-Q3/CL	2	PVC	KNPP_02	1	0.097
78HPsec/3in	3	SS_316L		2	0.023
78KPL-Q3/xW	4	AL6082		1	1.273
Total					2.2

BOM/O-Ring				
Part #	Index	Material	Qty	Dimensions
2-226	1	EPDM	1	50.39 x 353
OR78X4	2	EPDM	2	78x4

BOM-A8HP-Port		Material - - Weight			
Part #	Index	Material	Mat.ACS	Qty	Weight[kg]
78HP/3in/xW	1	316/2507	316	1	0.822
78HPBACK-Q3/CL	2	PVC	KNPP_02	1	0.097
78HPsec/3in	3	SS_316L		2	0.023
78KPL-Q3/xW	4	AL6082		1	1.273
Total					2.2

BOM/O-Ring				
Part #	Index	Material	Qty	Dimensions
2-222	1	EPDM	1	37.69 x 353
OR78X4	2	EPDM	1	78x4

port material:
 BW: 316L
 SW: superduplex

Knappe Composites

		Mat:	
		DATUM:	REV:
A8HP-Q3 Port Plates		06.08.19	2
Name	A8HP_Q3XW_PUBLIC	Page	1/2

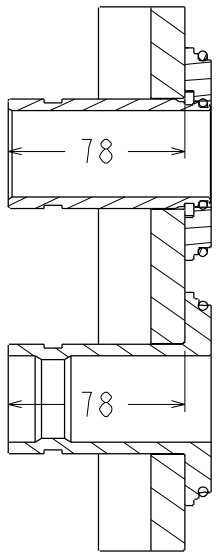
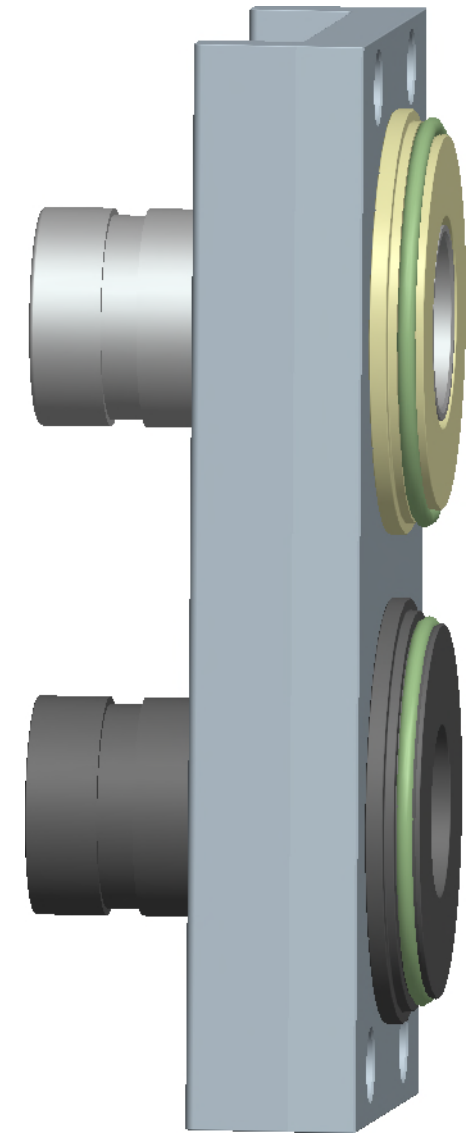
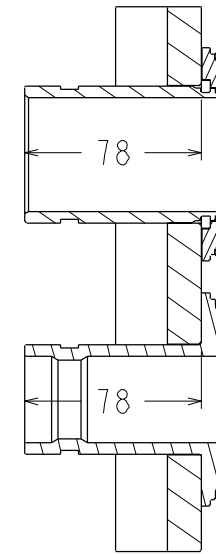
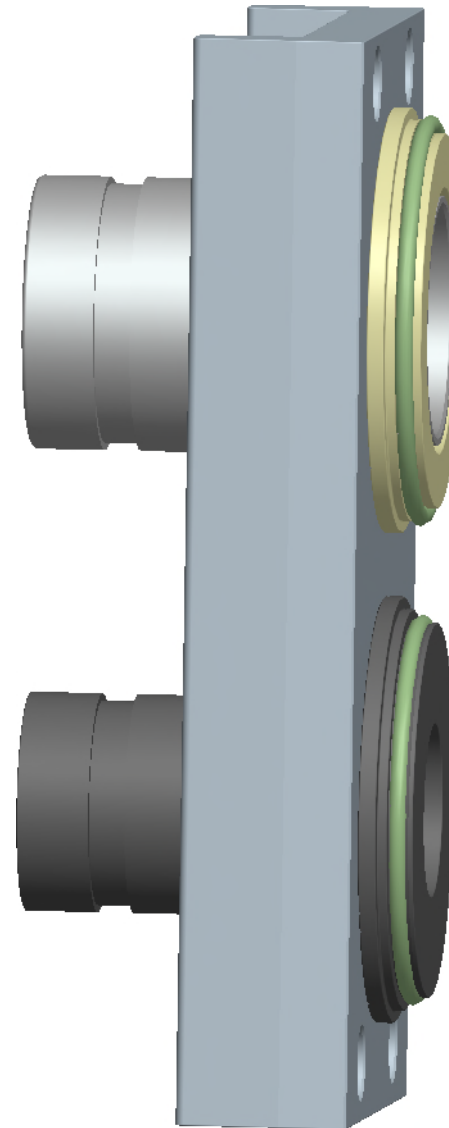
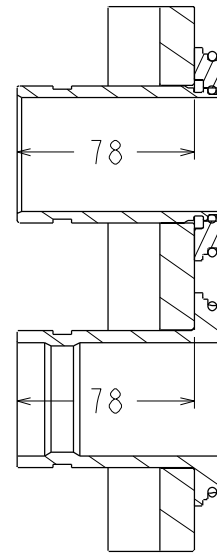
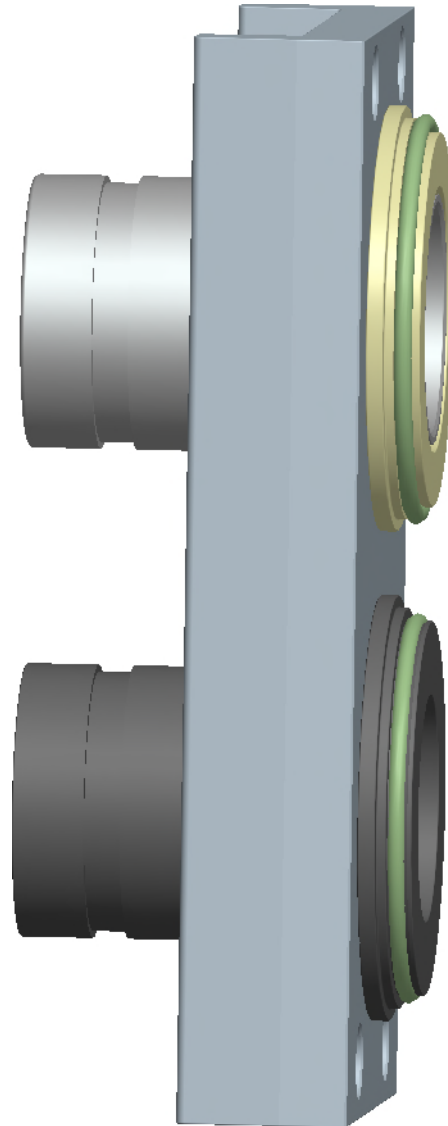
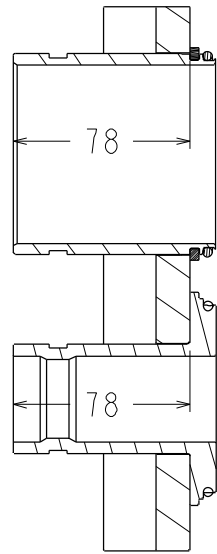
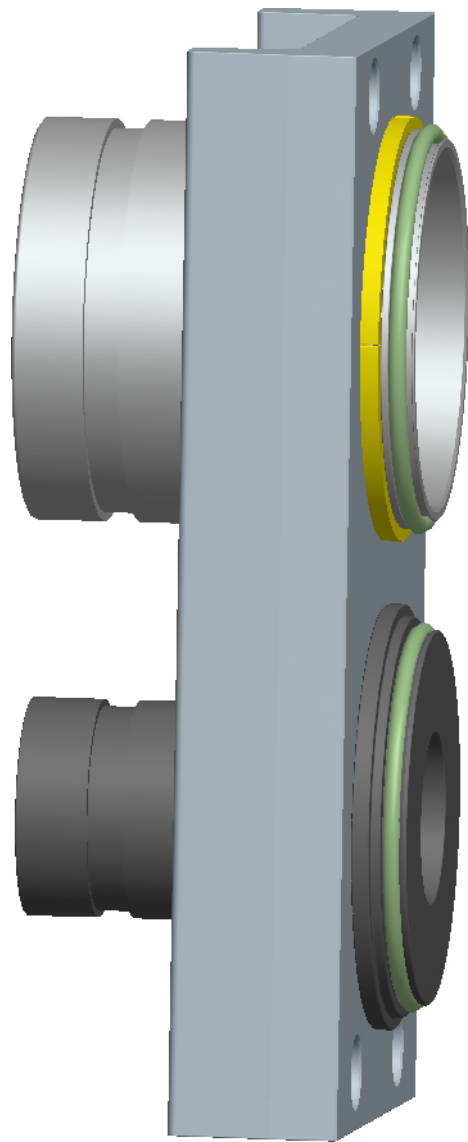


A8HP-Q3/3/LP1.5xW

A8HP-Q3/3/LP2xW

A8HP-Q3/2/LP1.5/xW

A8HP-Q3/1.5/LP1.5/xW



BOM-A8HP-Port		Material - - Weight		
Part #	Index	Material	Qty	Weight[kg]
78HP/3in/xW	1	316/2507	1	0.822
78HP-Q3/1.5/LP	2	PVC	1	0.156
78HPsec/3in	3	SS_316L	2	0.023
78KPL-Q3/3/1.5/xW	4	AL6082	1	1.198
Total				2.2

BOM-A8HP-Port		Material - - Weight		
Part #	Index	Material	Qty	Weight[kg]
78HP/2in/xW	1	316/2507	1	0.541
78HP-Q3/2/LP	2	PVC	1	0.165
78HPBACK-Q3/RED2	3	PVC	1	0.050
78HPsec/2in	4	SS_316L	2	0.015
78KPL-Q3/2/2/xW	5	AL6082	1	1.292
Total				2.1

BOM-A8HP-Port		Material - - Weight		
Part #	Index	Material	Qty	Weight[kg]
78HP/2in/xW	1	316/2507	1	0.541
78HP-Q3/1.5/LP	2	PVC	1	0.156
78HPBACK-Q3/RED2	3	PVC	1	0.050
78HPsec/2in	4	SS_316L	2	0.015
78KPL-Q3/2/1.5/xW	5	AL6082	1	1.334
Total				2.1

BOM-A8HP-Port		Material - - Weight		
Part #	Index	Material	Qty	Weight[kg]
78HP/1.5in/xW	1	316/2507	1	0.425
78HP-Q3/1.5/LP	2	PVC	1	0.156
78HPBACK-Q3/RED1.5	3	PVC	1	0.065
78HPsec/1.5in	4	SS_316L	2	0.013
78KPL-Q3/3/1.5/xW	5	AL6082	1	1.376
Total				2.0

Knappe Composites



A8HP-Q3 Port Plates		Mat:	
		DATUM:	REV: :
		06.08.19	2
Name	A8HP_Q3XW_PUBLIC	Page	2/2