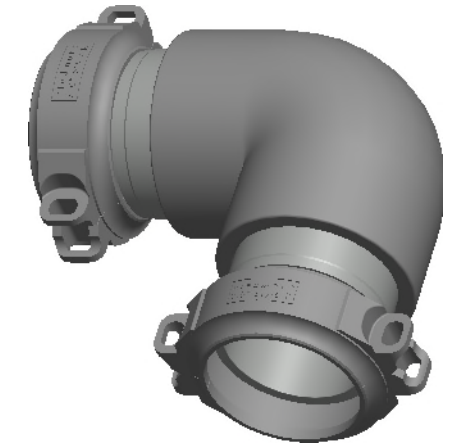
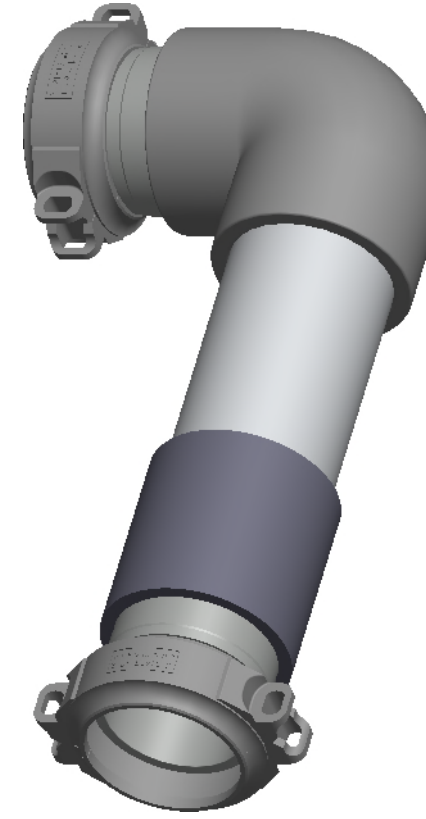
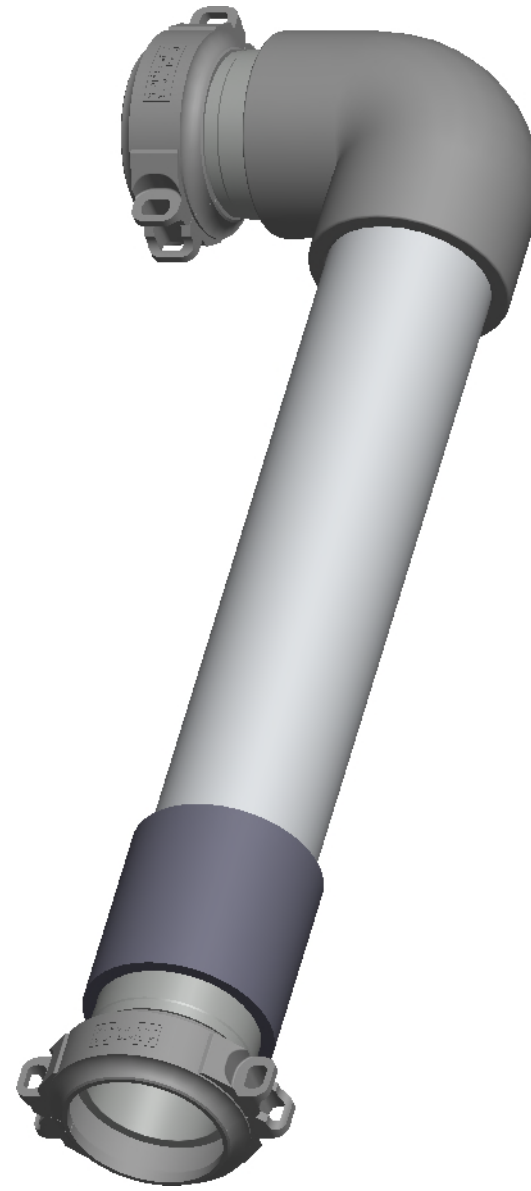


3 in
2 in
1.5 in



bends permeate-port		max. 10bar/150psi
88PORTBD/3/LP	88PORTBD/2/LP	88PORTBD/15/LP
88PORTBD/3/-1/LP	88PORTBD/2/-1/LP	88PORTBD/15/-1/LP
88PORTBD/3/-2/LP	88PORTBD/2/-2/LP	88PORTBD/15/-2/LP
88PORTBD/3/-3/LP	88PORTBD/2/-3/LP	88PORTBD/15/-3/LP
88PORTBD/3/-4/LP	88PORTBD/2/-4/LP	88PORTBD/15/-4/LP
88PORTBD/3/-5/LP	88PORTBD/2/-5/LP	88PORTBD/15/-5/LP
88PORTBD/3/-6/LP	88PORTBD/2/-6/LP	88PORTBD/15/-6/LP
88PORTBD/3/-7/LP	88PORTBD/2/-7/LP	88PORTBD/15/-7/LP

couplings to be ordered separately

Knappe Composites			
88PortBd/xin/c-x	Mat:	REV:	:
	DATUM:	15.03.21	2
Name	88PORTDB_XXIN-LP_PUBLI	Page	2/2

