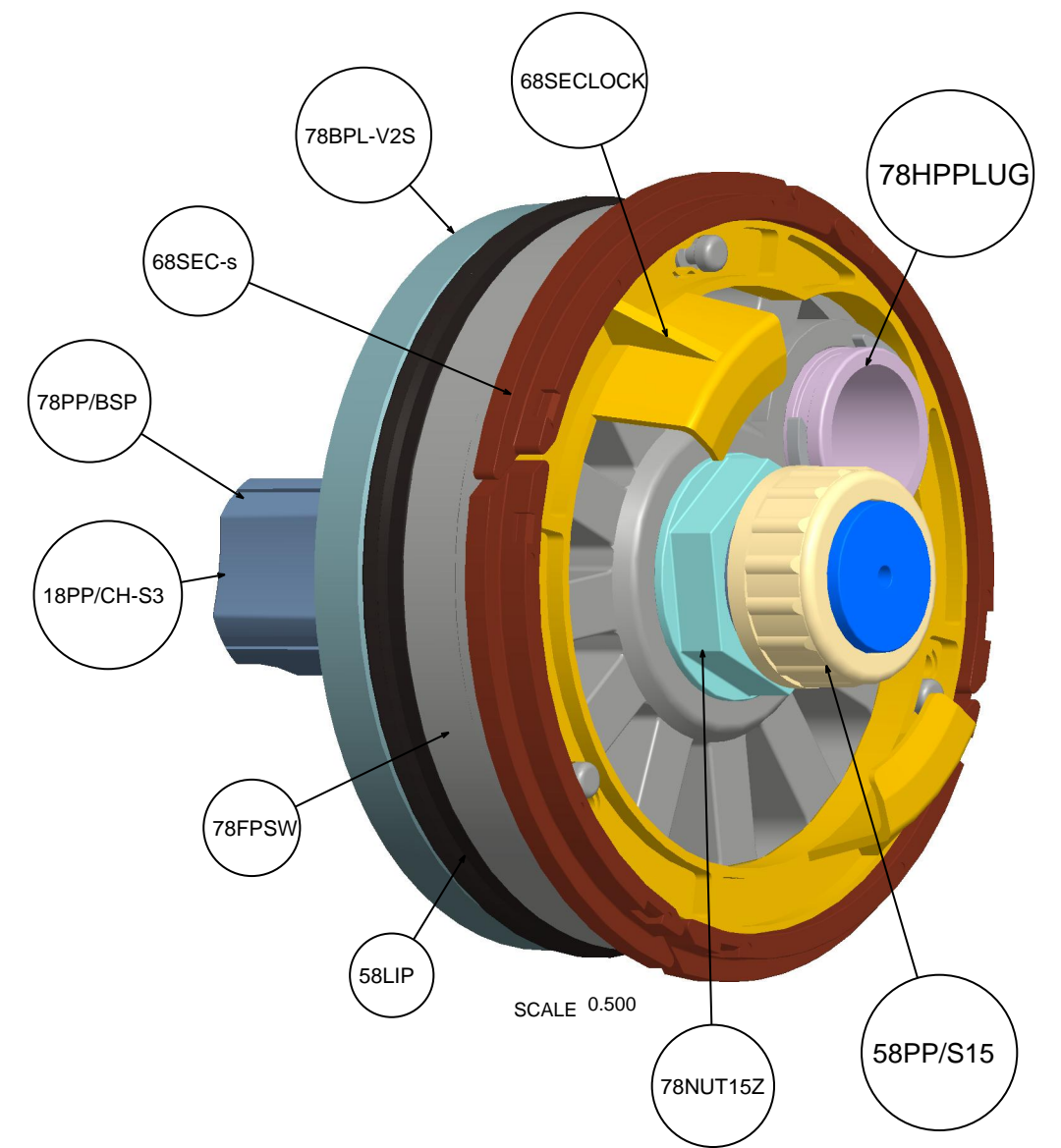
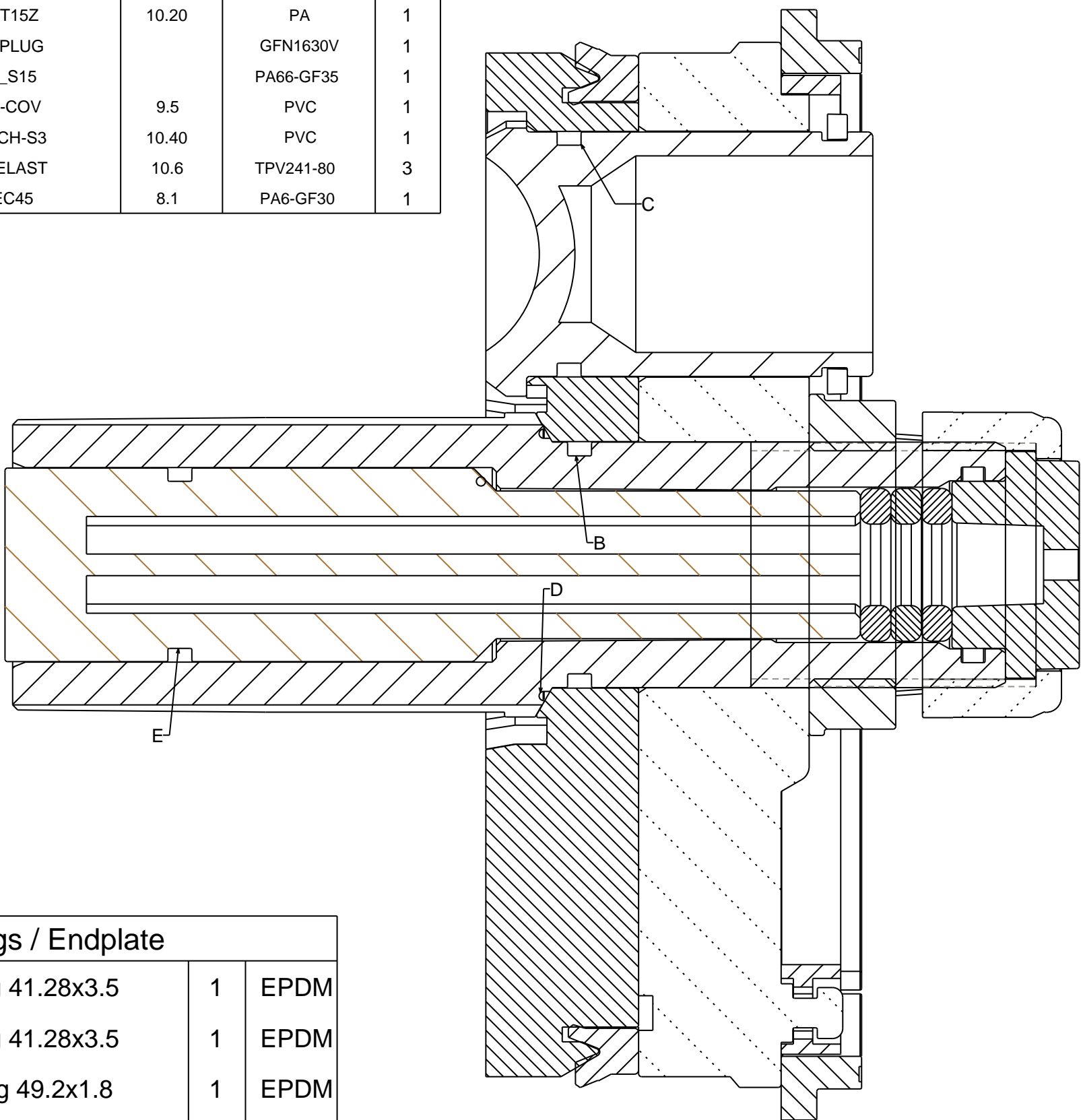


O-Rings / Endplate			
A	O-Ring 32.92x3.5	1	EPDM
B	O-Ring 41.28x3.5	1	EPDM
D	O-Ring 49.3x1.8	1	EPDM

XT -- Parts--Material- - Weight				
Part #	Index	Material	Qty	Weight[kg]
58LIP	1	EPDM	1	0.080
58PP_S15	2	PA66-GF35	1	
58SCR8X25	3	SS_316L	3	0.045
68SEC	4	AL6061	1	0.000
68SECCLOCK	5	PA66-GF30	1	0.000
78BPL-S3S_R1	6	PP_30GLASS	1	0.443
78NUT15Z	7	PA	1	0.026
78PP_BSP_R2	8	PP_GF30	1	0.350
78SPACER_SP_R2	9	PP_GF30	1	0.245
78SPSW_R1	10	AL6061	1	2.239
78UN_E32I	11		1	
Total				***

Knappe Composites			
Endplate ASSY Sideport for Series S3p 18EPSW/S3p	Mat.:		
	DATUM:	REV:	:
	05.03.09	4	
Name	18EPSW_S3P_R4CUST	Page	1/1

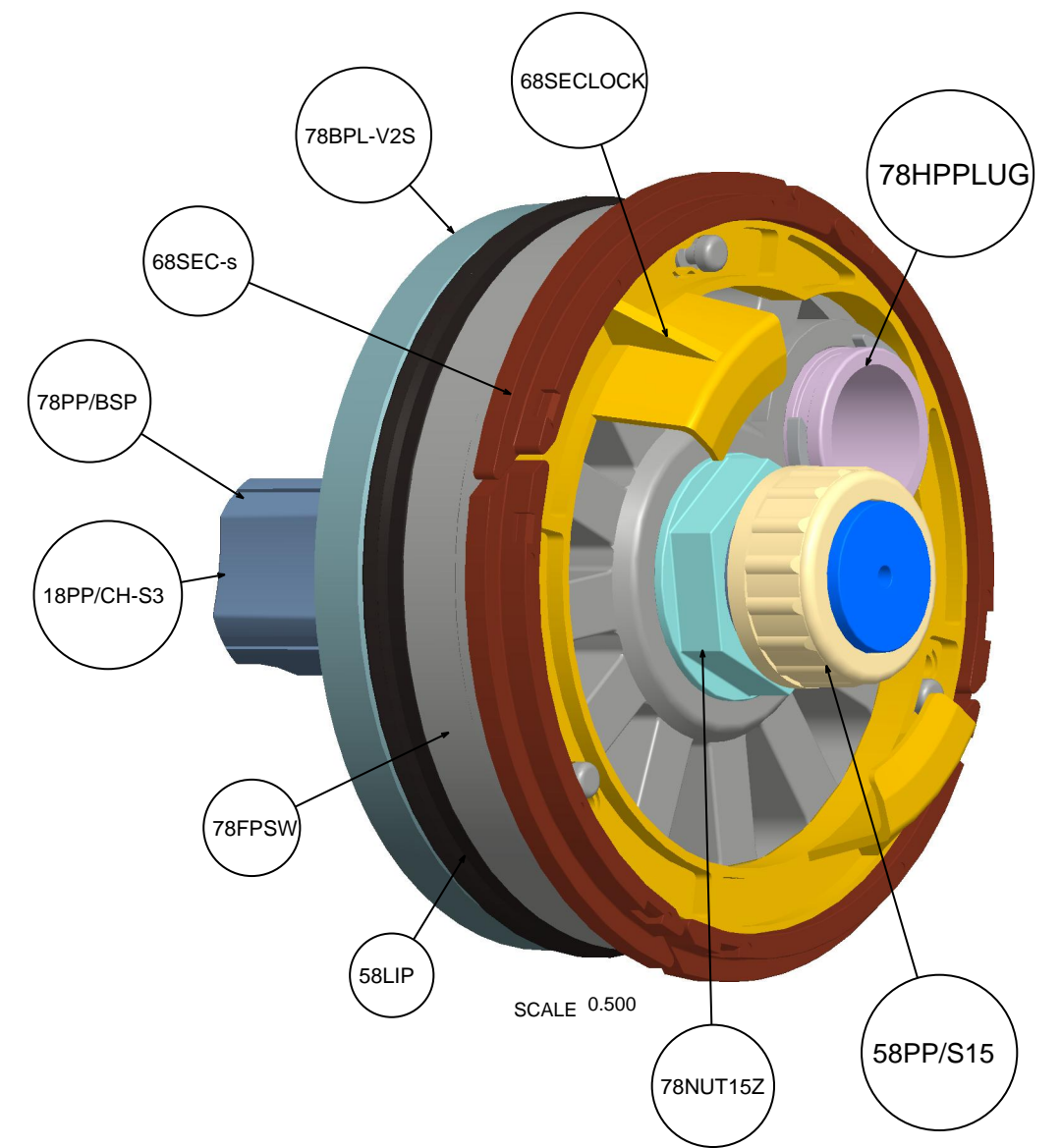
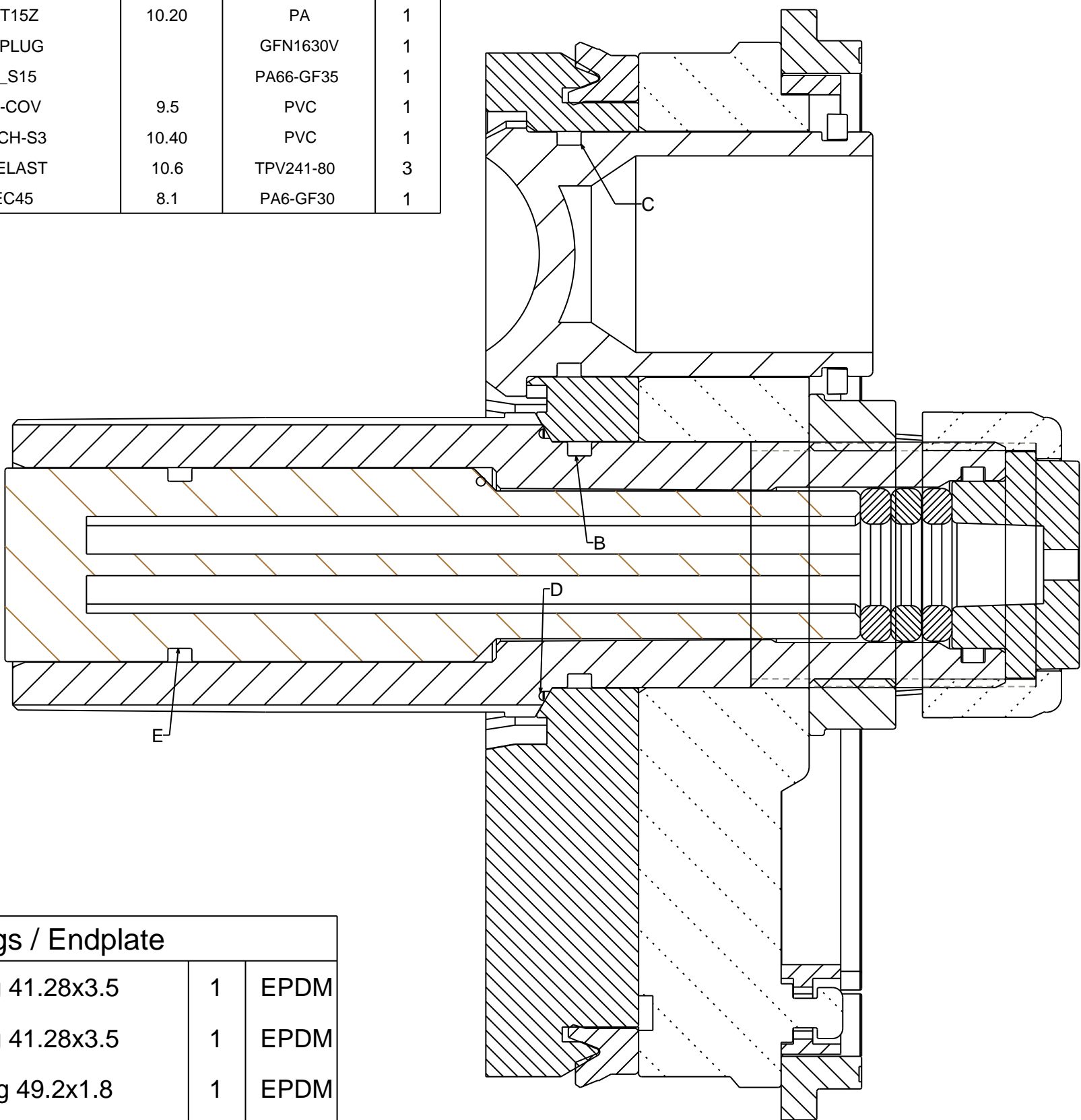
head -- Parts/Pos -- Material			
Part #	Pos	Material	Qty
78FPPL	4.1	PA66-GF15/STEEL	1
78BPL-V2S	4.2	PP_GF30	1
68SEC-S	5	PA66-GF30	4
78SECLOCK	6	PA66-GF30	1
58LIP	7.00	EPDM	1
78PP_BSP	10.00	PP_GF30	1
78NUT15Z	10.20	PA	1
78HPPLUG		GFN1630V	1
58PP_S15		PA66-GF35	1
78CH-COV	9.5	PVC	1
78PP_CH-S3	10.40	PVC	1
78CH-ELAST	10.6	TPV241-80	3
68SEC45	8.1	PA6-GF30	1



O-Rings / Endplate			
B	O-Ring 41.28x3.5	1	EPDM
C	O-Ring 41.28x3.5	1	EPDM
D	O-Ring 49.2x1.8	1	EPDM
E	O-Ring 32.9x3.5	1	EPDM

Knappe Composites			
Endplate ASSY Sideport for Series S3s (Permeate closed) 18EPBW-C_S3s	Mat.:		
	DATUM:	REV:	:
	16.11.07	1	
	23.07.11	1.1	
Name	18EPBW-C_S3S_R1CUST	Page	1/1

head -- Parts/Pos -- Material			
Part #	Pos	Material	Qty
78FPPL	4.1	PA66-GF15/STEEL	1
78BPL-V2S	4.2	PP_GF30	1
68SEC-S	5	PA66-GF30	4
78SECLOCK	6	PA66-GF30	1
58LIP	7.00	EPDM	1
78PP_BSP	10.00	PP_GF30	1
78NUT15Z	10.20	PA	1
78HPPLUG		GFN1630V	1
58PP_S15		PA66-GF35	1
78CH-COV	9.5	PVC	1
78PP_CH-S3	10.40	PVC	1
78CH-ELAST	10.6	TPV241-80	3
68SEC45	8.1	PA6-GF30	1



O-Rings / Endplate			
B	O-Ring 41.28x3.5	1	EPDM
C	O-Ring 41.28x3.5	1	EPDM
D	O-Ring 49.2x1.8	1	EPDM
E	O-Ring 32.9x3.5	1	EPDM

Knappe Composites			
Endplate ASSY Sideport for Series S3s (Permeate closed) 18EPBW-C_S3s	Mat.:		
	DATUM:	REV:	:
	16.11.07	1	
	23.07.11	1.1	
Name	18EPBW-C_S3S_R1CUST	Page	1/1