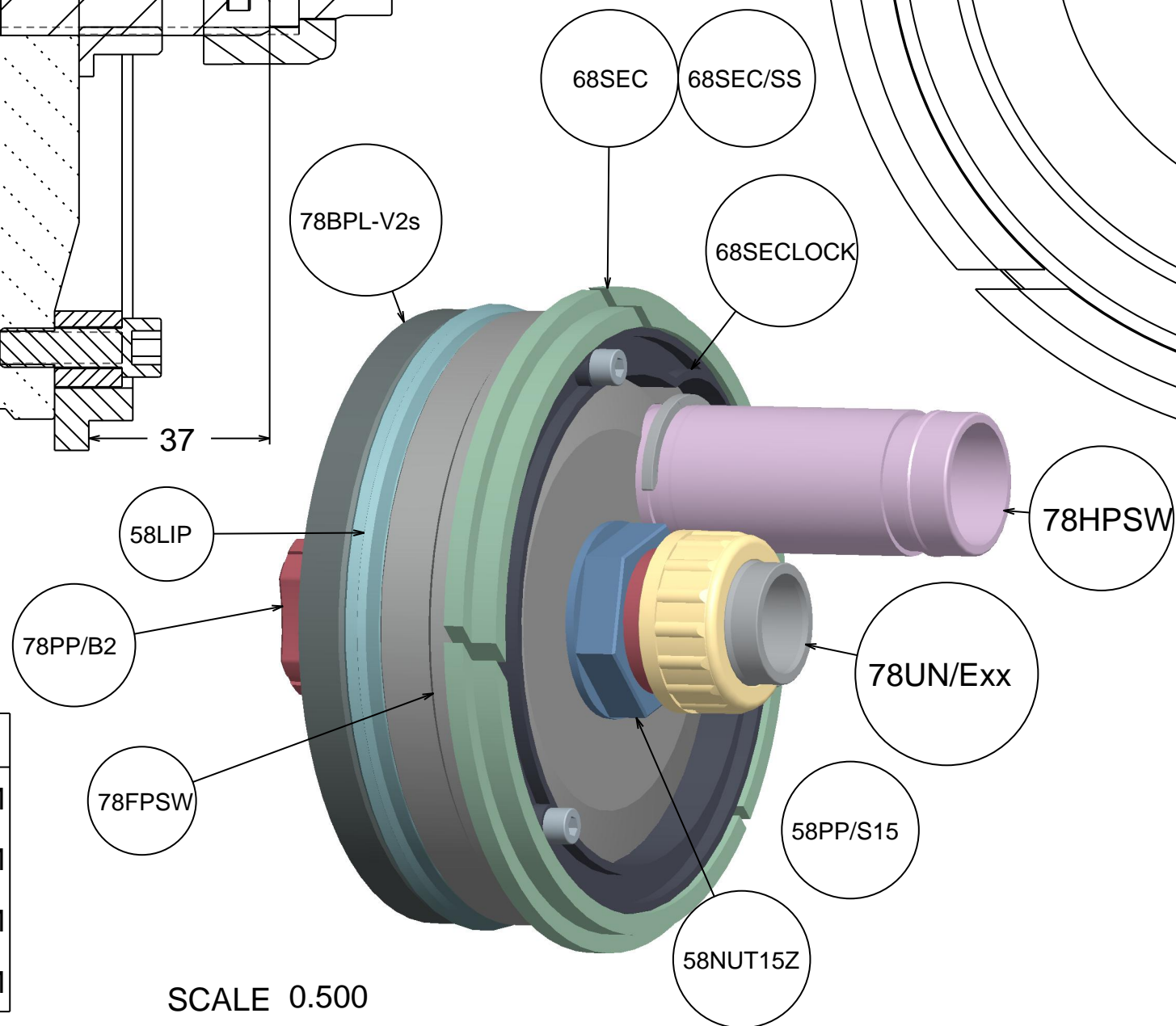
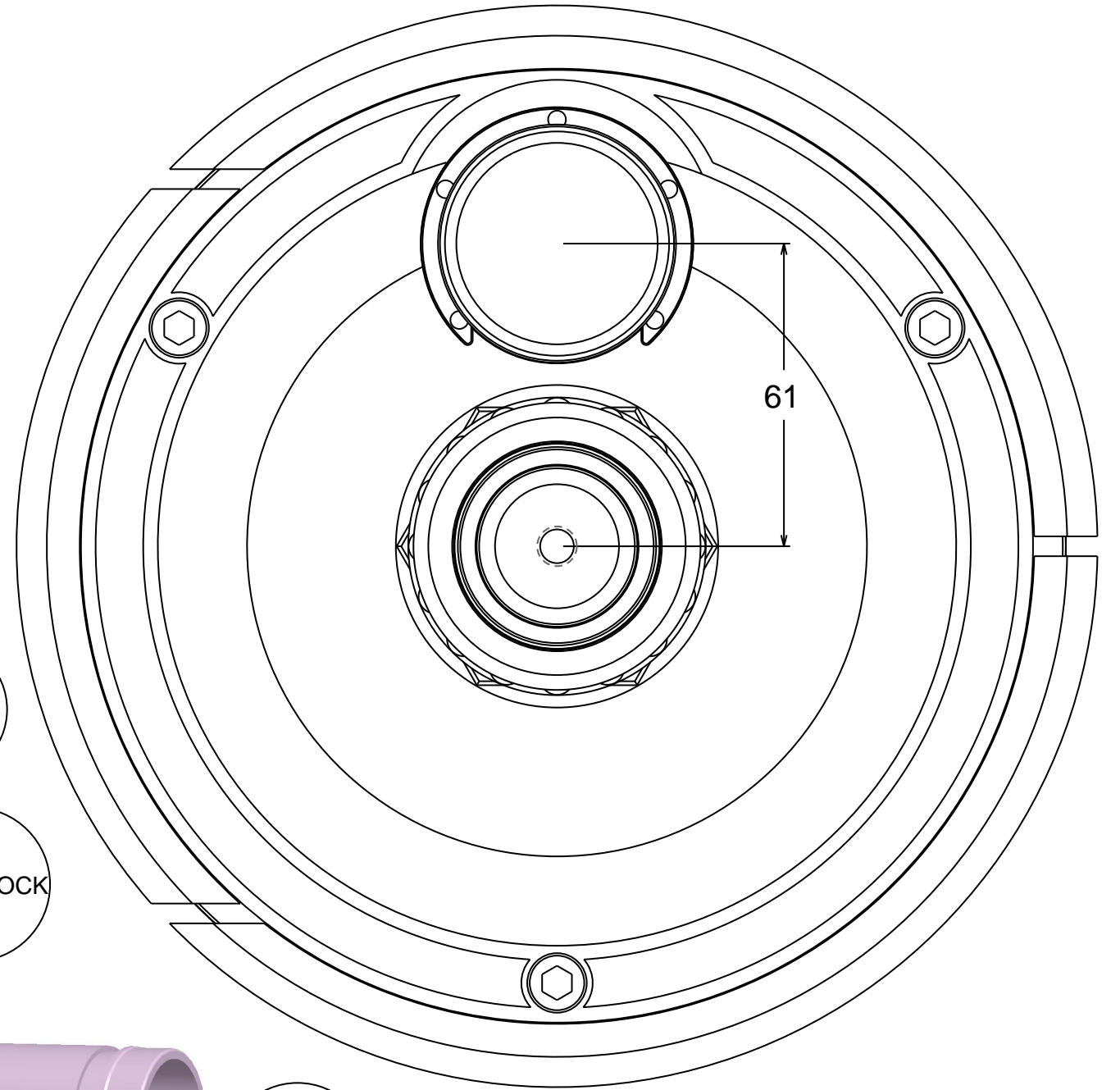
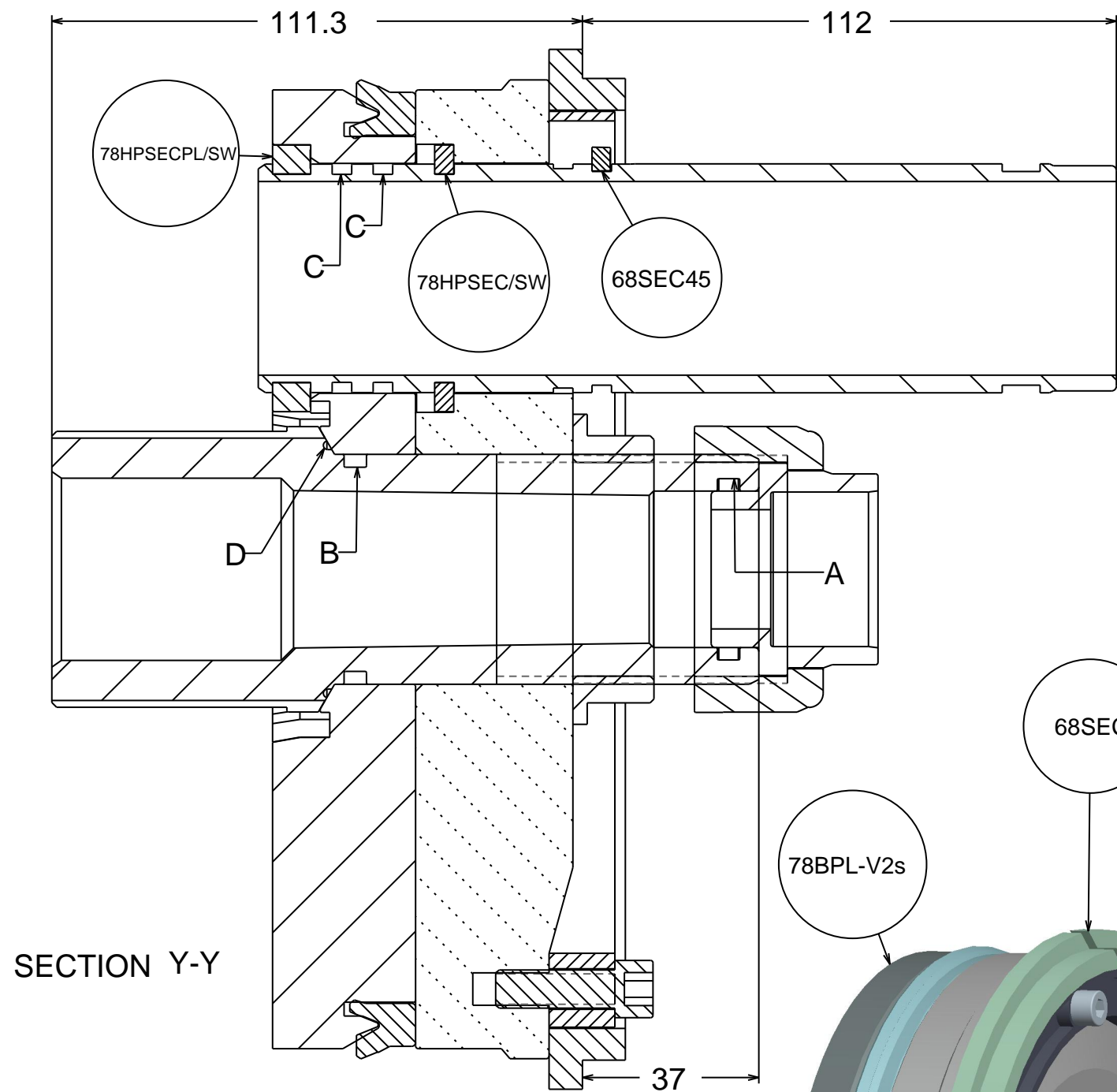


SCALE 0.500

O-Rings / Endplate			
A	O-Ring 32.92x3.5	1	EPDM
B	O-Ring 41.28x3.5	1	EPDM
C	O-Ring 42x3	2	EPDM
D	O-Ring 49.26x1.8	1	EPDM
E	O-Ring 32.92x3.5	1	EPDM

Knappe Composites			
	Mat.:		
Endplate ASSY Frontport 1000/1200PSI 18EPSW-V2p/C	DATUM:	REV:	SIG:
	16.06.06 05.11.07	0 1	
Name	18EPSW-V2P/C/R1CUST	Page	



SECTION Y-Y

SCALE 0.500

O-Rings / Endplate			
A	O-Ring 32.92x3.5	1	EPDM
B	O-Ring 41.28x3.5	1	EPDM
C	O-Ring 42x3	2	EPDM
D	O-Ring 49.26x1.8	1	EPDM

Knappe Composites			
Endplate ASSY Frontport 1000/1200PSI 18EPSW-V2p	Mat.:		
	DATUM:	REV:	SIG:
	28.06.06	0	
	06.11.07	1	
Name	18EPSW-V2p/R1CUST	Page	