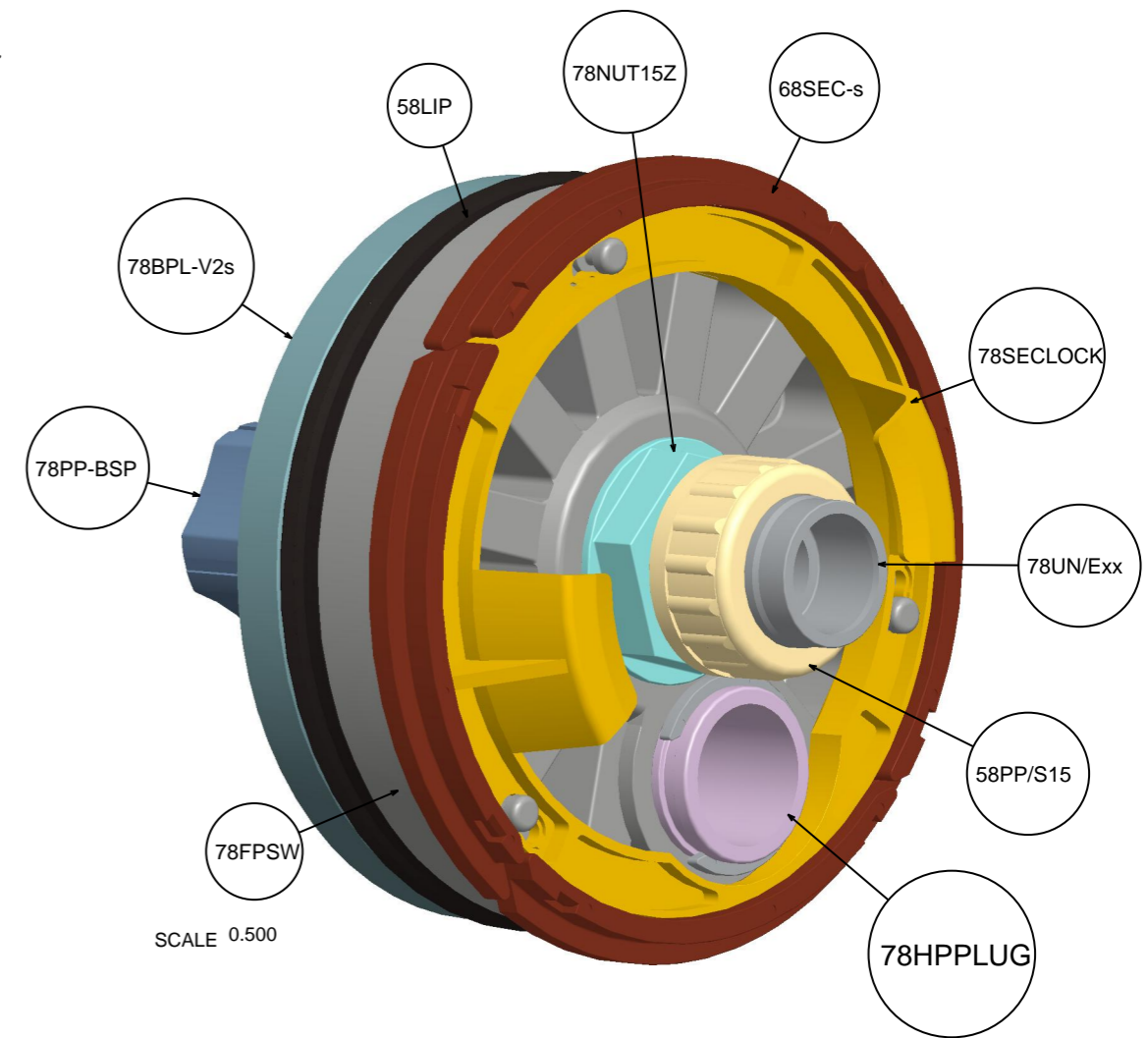
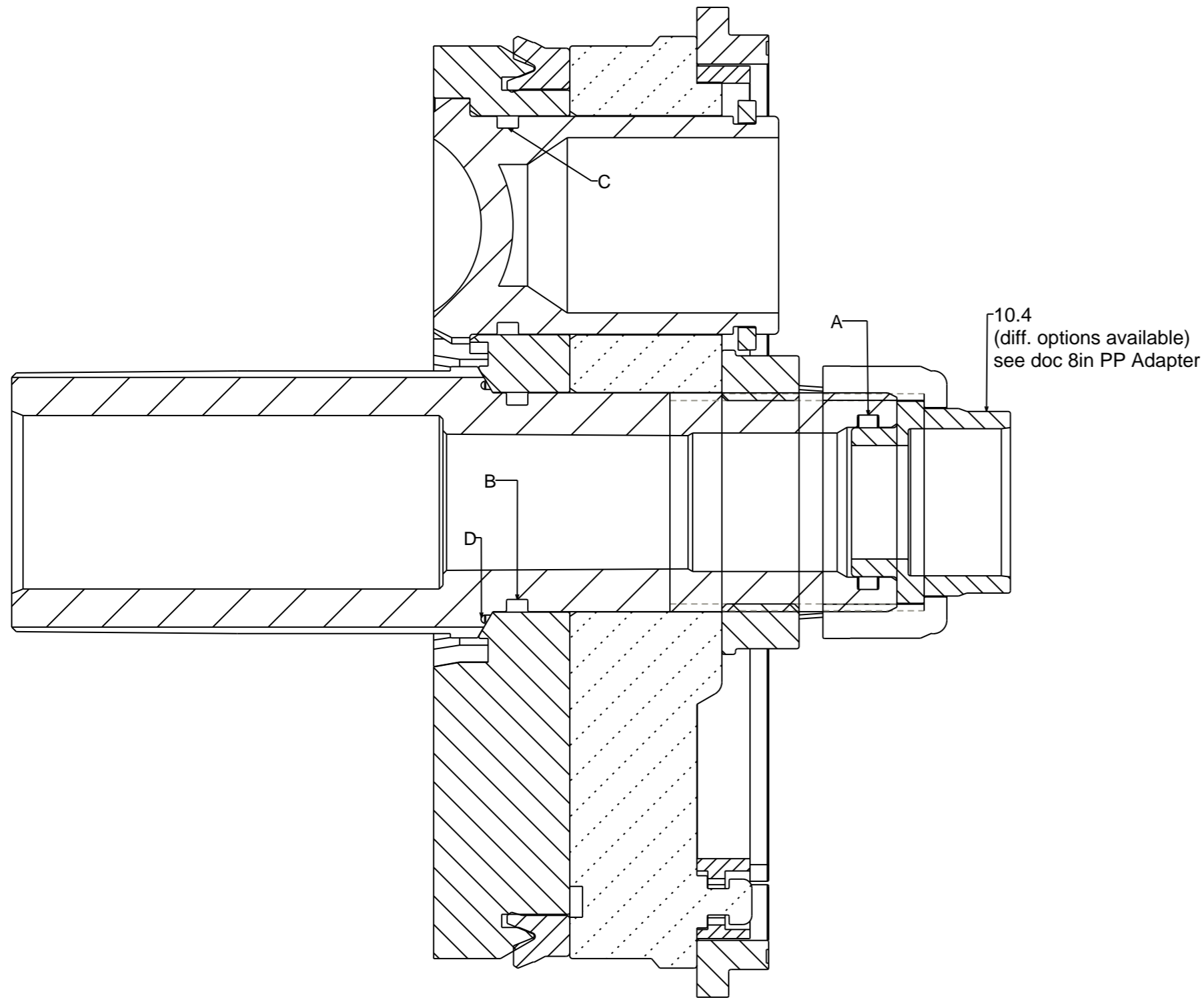


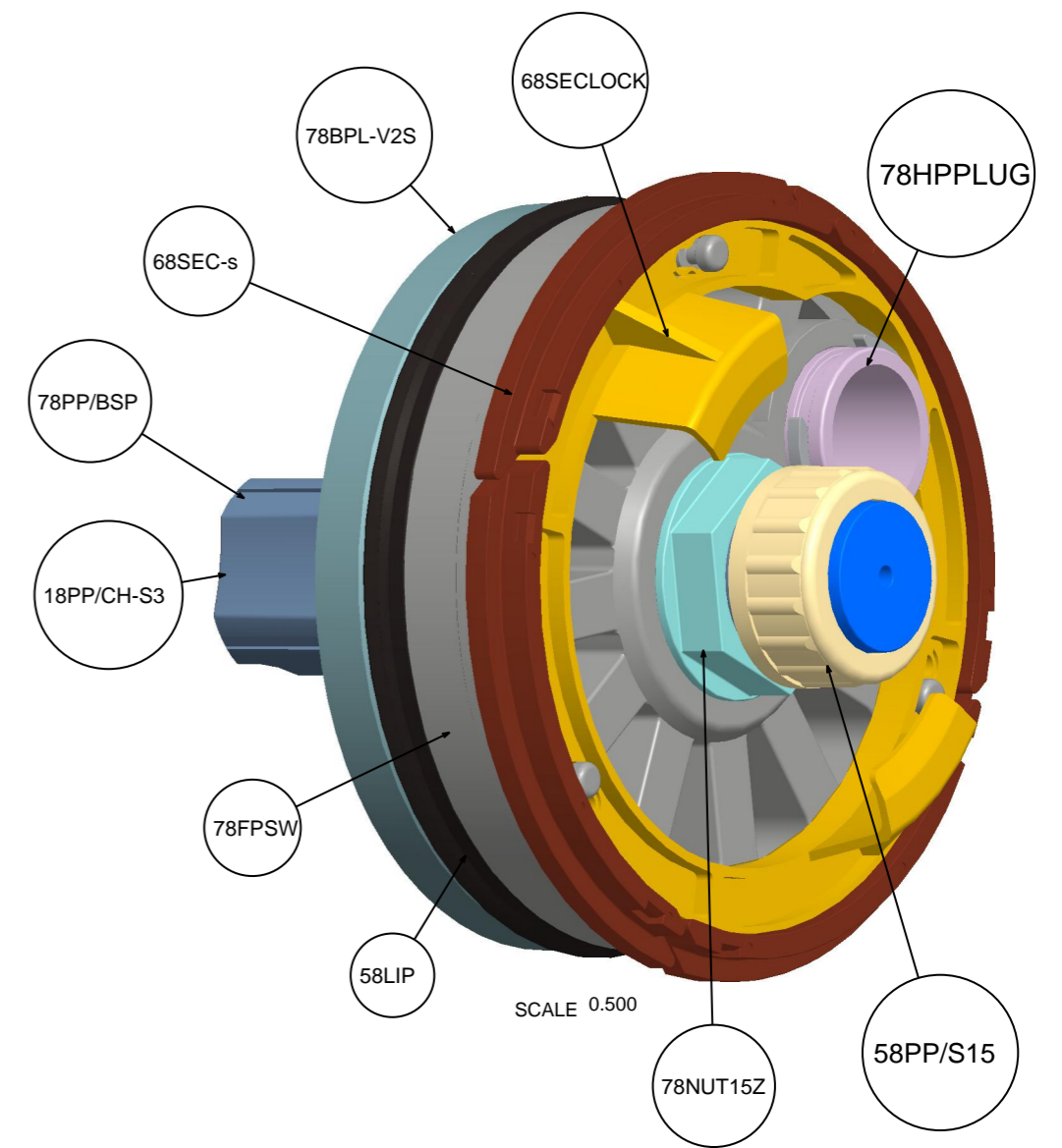
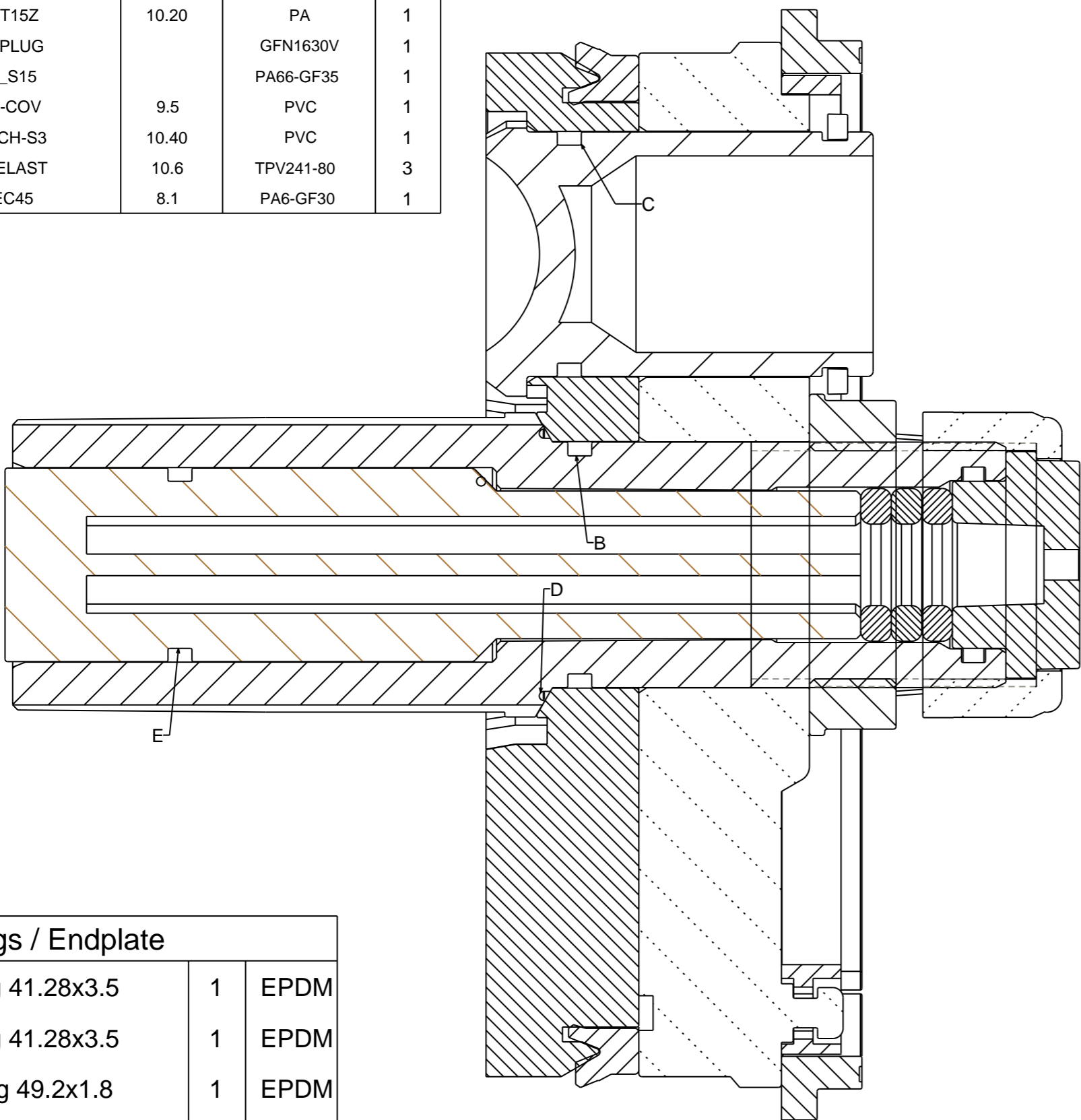
head -- Parts/Pos -- Material			
Part #	Pos	Material	Qty
78FPPL	4.1	PA66-GF15/STEEL	1
78BPL-V2S	4.2	PP_GF30	1
58LIP	7.00	EPDM	1
68SEC-S	5	PA66-GF30	4
78SECCLOCK	6	PA66-GF30	1
78PP_BSP	10.00	PP_GF30	1
78NUT15Z	10.20	PA	1
78HPPLUG		GFN1630V	1
68SEC45	8.1	PA6-GF30	1
58PP_S15		PA66-GF35	1
78UN_E32I	10.4		1



O-Rings / Endplate			
A	O-Ring 32.92x3.5	1	EPDM
B	O-Ring 41.28x3.5	1	EPDM
C	O-Ring 41.28x3.5	1	EPDM
D	O-Ring 49.2x1.8	1	EPDM

Knappe Composites			
Endplate ASSY Sideport for Series S3s 18EPBW/S3s	Mat.:		
	DATUM:	REV:	:
	06.11.07 23.07.11	1 1.1	
Name	18EPBW_S3S_R1CUST	Page	1/1

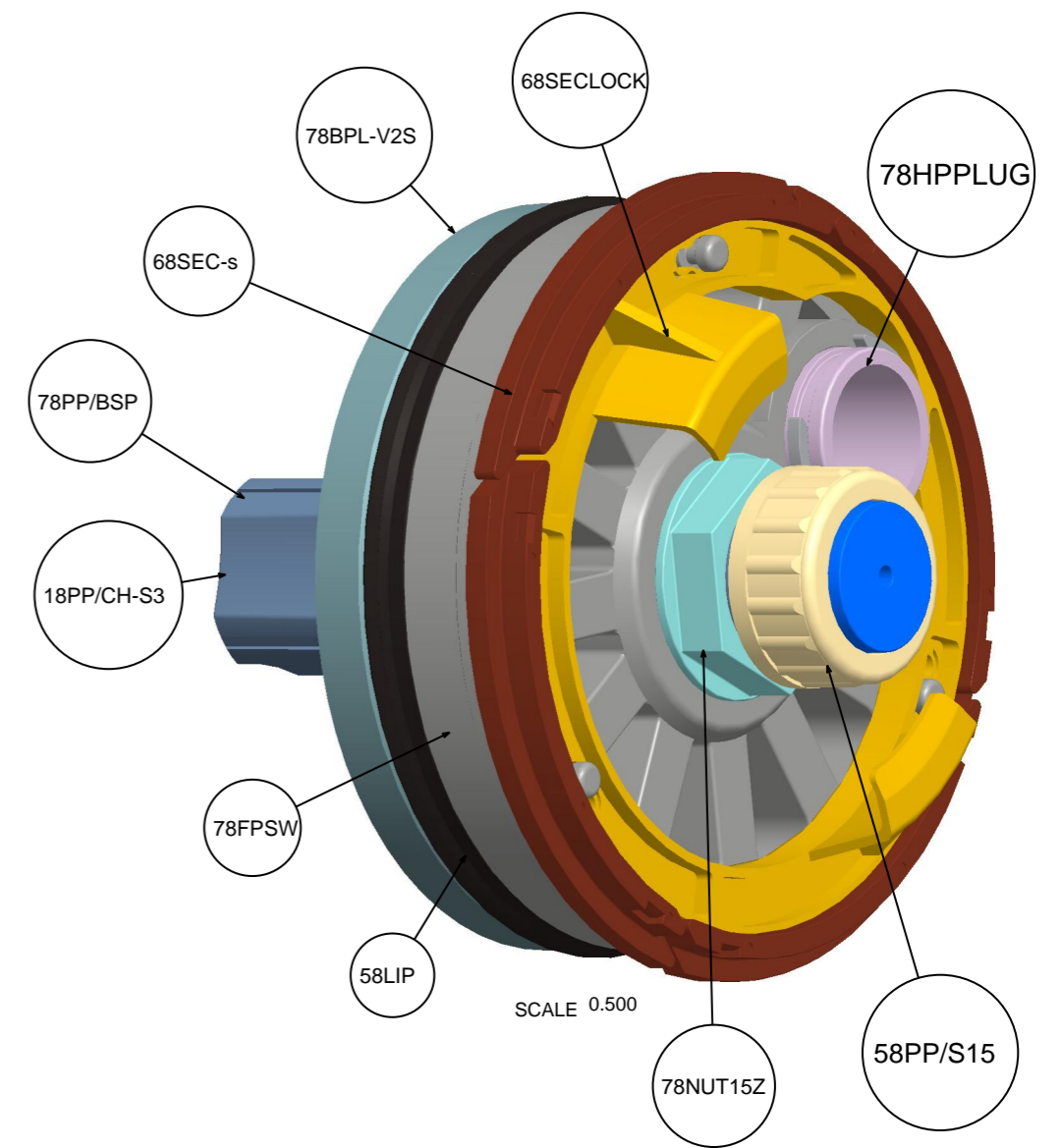
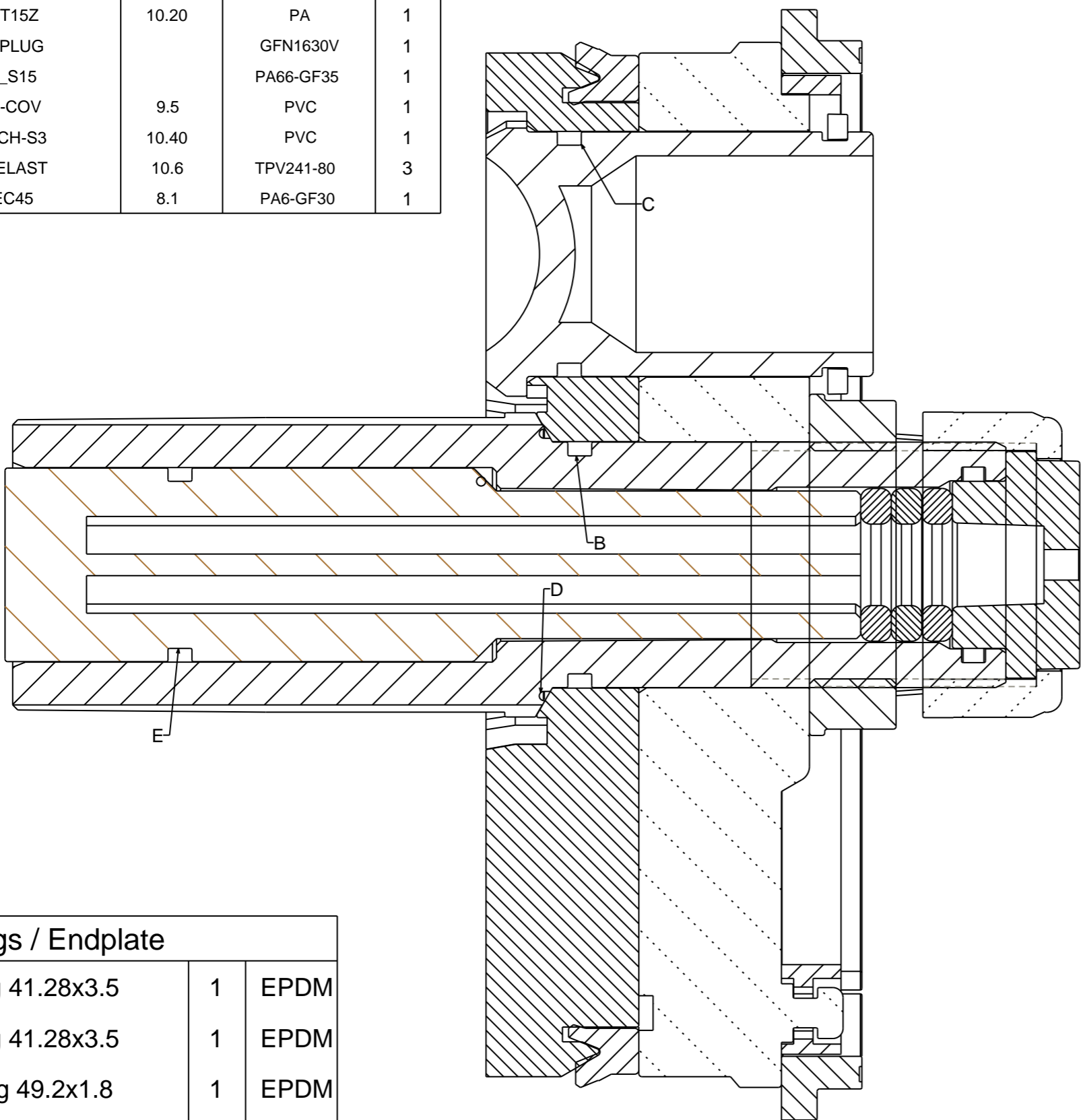
head -- Parts/Pos -- Material			
Part #	Pos	Material	Qty
78FPPL	4.1	PA66-GF15/STEEL	1
78BPL-V2S	4.2	PP_GF30	1
68SEC-S	5	PA66-GF30	4
78SECLOCK	6	PA66-GF30	1
58LIP	7.00	EPDM	1
78PP_BSP	10.00	PP_GF30	1
78NUT15Z	10.20	PA	1
78HPPLUG		GFN1630V	1
58PP_S15		PA66-GF35	1
78CH-COV	9.5	PVC	1
78PP_CH-S3	10.40	PVC	1
78CH-ELAST	10.6	TPV241-80	3
68SEC45	8.1	PA6-GF30	1



O-Rings / Endplate			
B	O-Ring 41.28x3.5	1	EPDM
C	O-Ring 41.28x3.5	1	EPDM
D	O-Ring 49.2x1.8	1	EPDM
E	O-Ring 32.9x3.5	1	EPDM

Knappe Composites			
Endplate ASSY Sideport for Series S3s (Permeate closed) 18EPBW-C_S3s	Mat.:		
	DATUM:	REV:	:
	16.11.07	1	
	23.07.11	1.1	
Name	18EPBW-C_S3S_R1CUST	Page	1/1

head -- Parts/Pos -- Material			
Part #	Pos	Material	Qty
78FPPL	4.1	PA66-GF15/STEEL	1
78BPL-V2S	4.2	PP_GF30	1
68SEC-S	5	PA66-GF30	4
78SECLOCK	6	PA66-GF30	1
58LIP	7.00	EPDM	1
78PP_BSP	10.00	PP_GF30	1
78NUT15Z	10.20	PA	1
78HPPLUG		GFN1630V	1
58PP_S15		PA66-GF35	1
78CH-COV	9.5	PVC	1
78PP_CH-S3	10.40	PVC	1
78CH-ELAST	10.6	TPV241-80	3
68SEC45	8.1	PA6-GF30	1



O-Rings / Endplate			
B	O-Ring 41.28x3.5	1	EPDM
C	O-Ring 41.28x3.5	1	EPDM
D	O-Ring 49.2x1.8	1	EPDM
E	O-Ring 32.9x3.5	1	EPDM

Knappe Composites			
Endplate ASSY Sideport for Series S3s (Permeate closed) 18EPBW-C_S3s	Mat.:		
	DATUM:	REV:	:
	16.11.07	1	
	23.07.11	1.1	
Name	18EPBW-C_S3S_R1CUST	Page	1/1