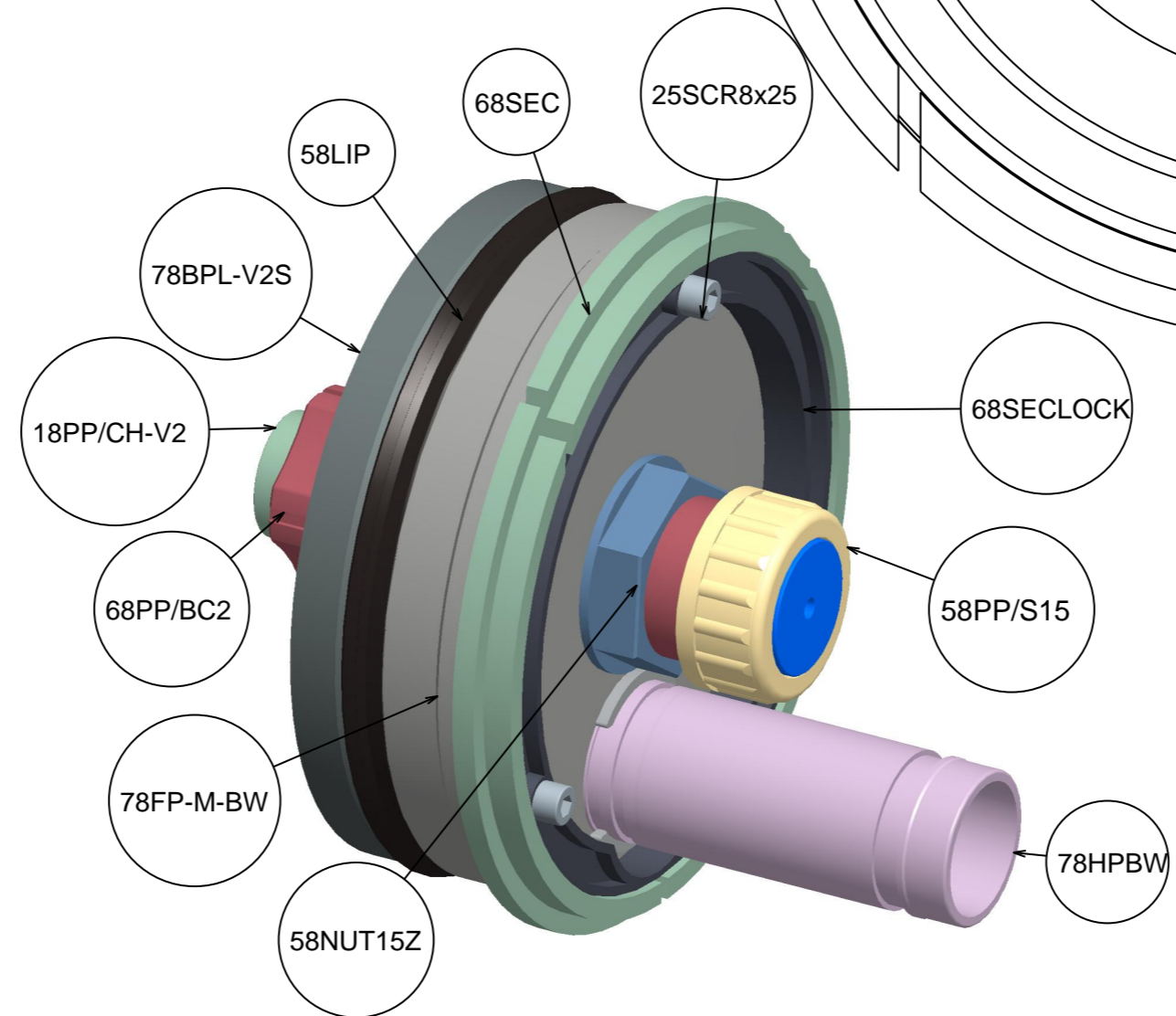


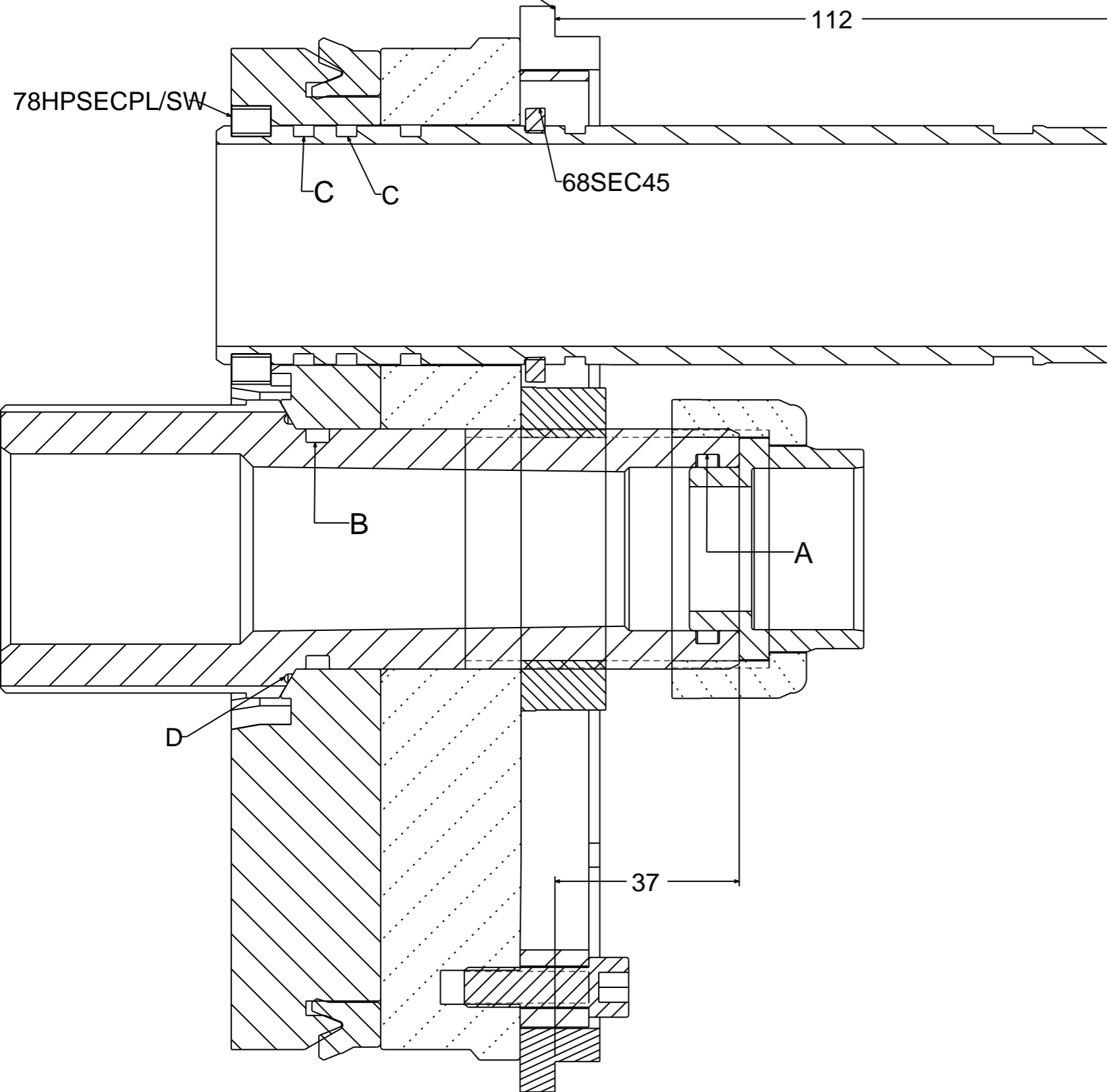
SECTION X-X
SCALE 0.500



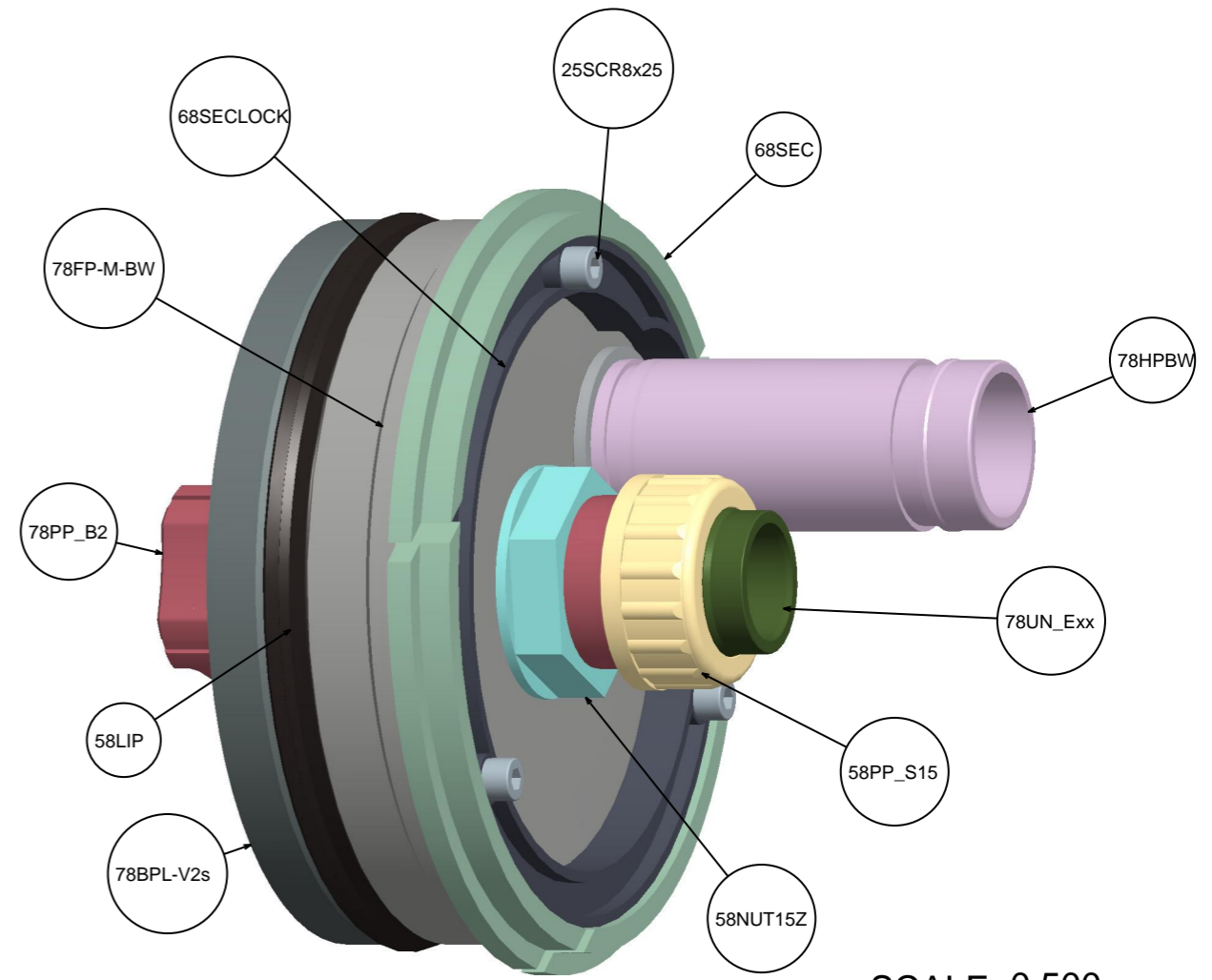
O-Rings / Endplate			
B	O-Ring 41.28x3.5	1	EPDM
C	O-Ring 42x3	2	EPDM
D	O-Ring 49.26x1.8	1	EPDM
E	O-Ring 32.92x3.5	1	EPDM

Knappe Composites			
Endplate ASSY Frontport 600PSI 18EP-M-BW-V2p/C	Mat.:		
	DATUM:	REV:	SIG:
	16.11.07	1	
Name	18EP-M-BW-V2p/C/R1CUST	Page	

LSTICH Ref.Point




O-Rings / Endplate			
A	O-Ring 32.92x3.5	1	EPDM
B	O-Ring 41.28x3.5	1	EPDM
C	O-Ring 42x3	2	EPDM
D	O-Ring 49.26x1.8	1	EPDM



SCALE 0.500

For Item # request BOM 18EP-M-BW-V2P

Note: For general information only. Items may be subject to be changed

Knappe Composites			
Endplate ASSY Frontport 600PSI 18EP-M-BW-V2p	DATUM:	REV:	SIG:
	16.11.07	1	
Name	18EP-M-BW-V2P/R1CUST		