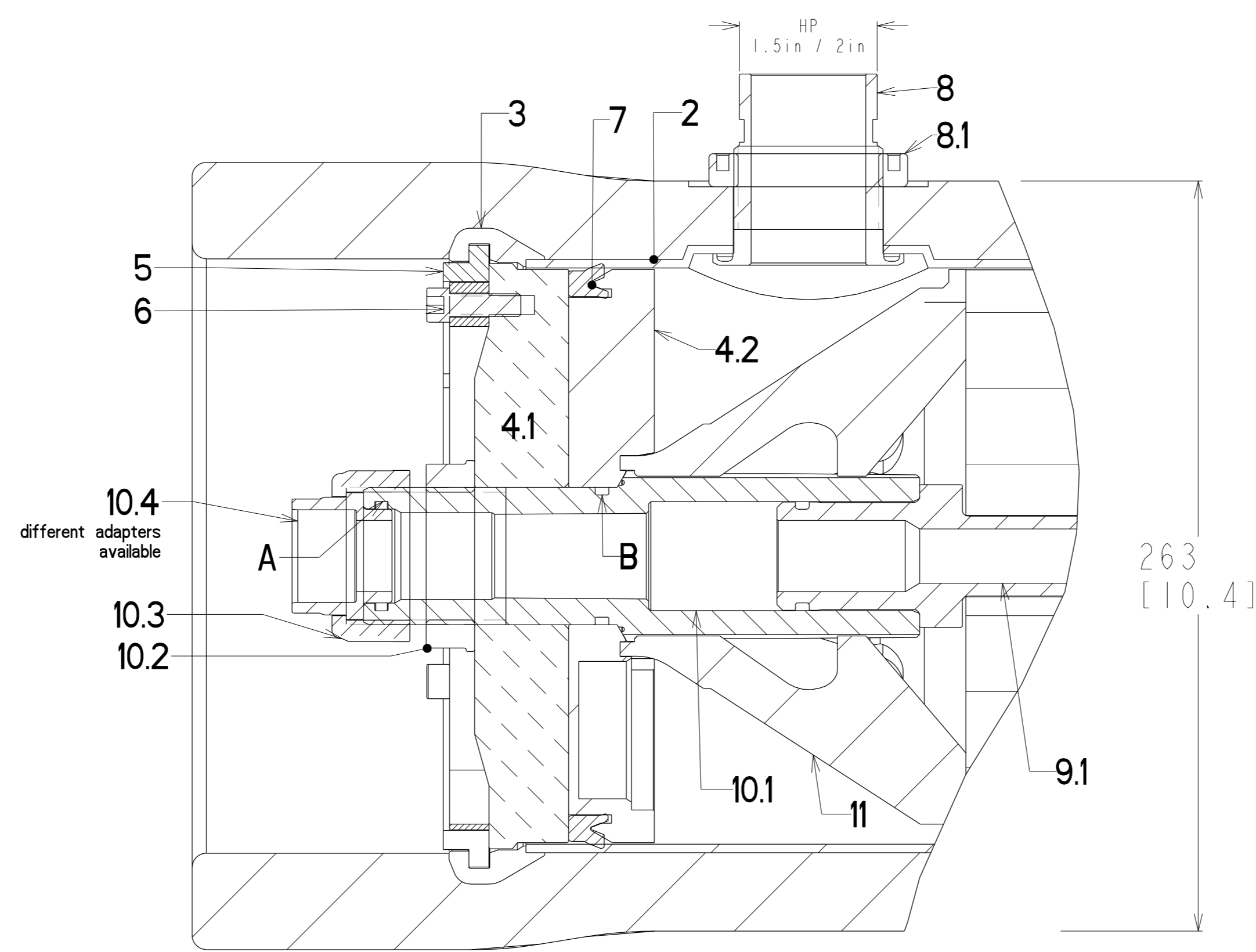
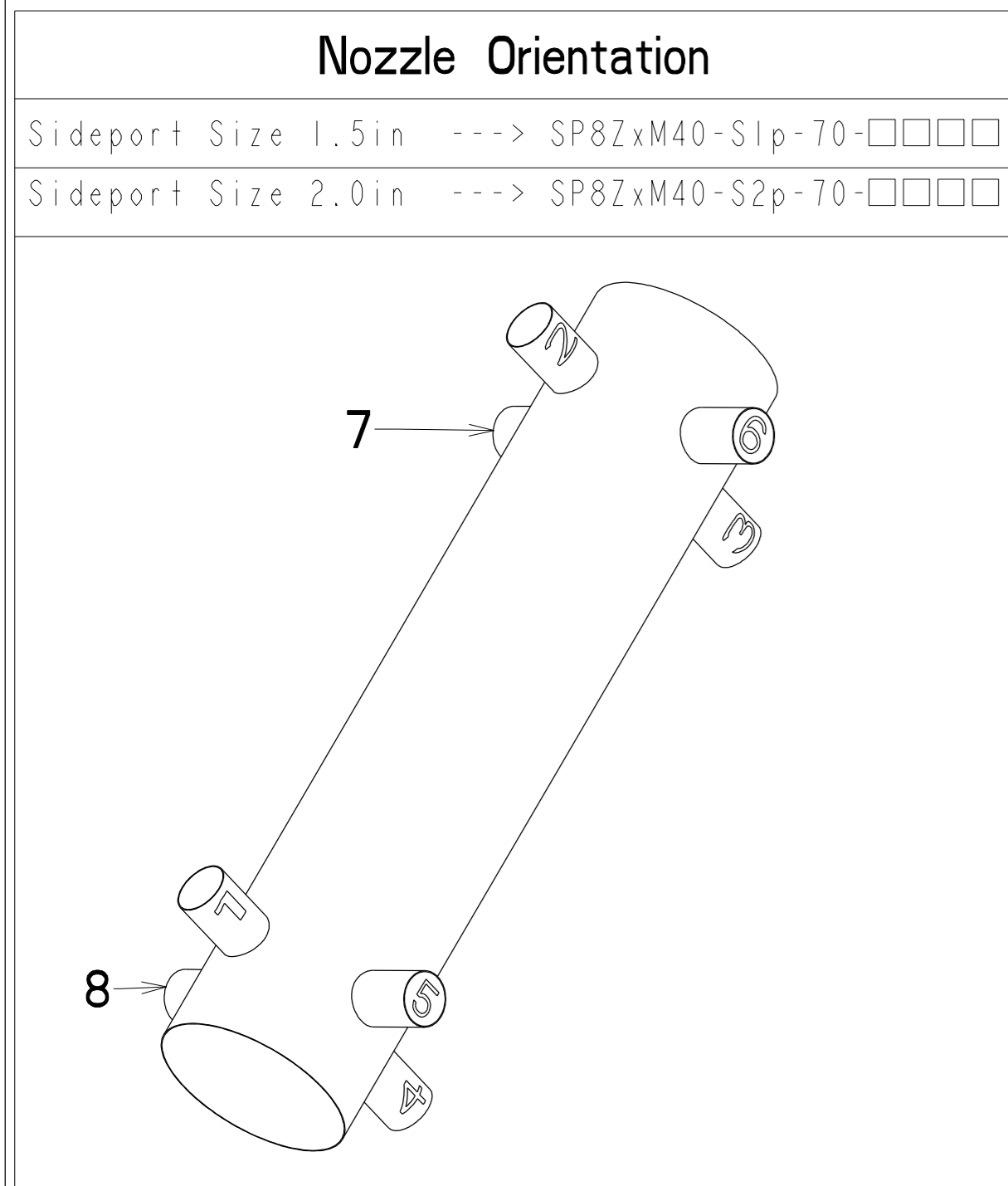


REF	PART NAME	PART #	MATERIAL
1	Shell		FRP
2	Liner		PVC
3	Grooving		SS316
HEAD			
4.1	Frontplate	78SPSW	Alu
4.2	Backplate	78BPL-V2s	PP/GF
5	Retaining Ring Endplate	68SEC	ALU/SS
6	Locking Ring	68SELOCK	PA/GF
6.1	Screws for Locking Ring	25SCR8/25	316TI
7	Lip Ring	58LIP	EPDM
PORTS			
8	HP-PORT	68HP15/SW	Superduplex
8.1	NUT for HP-Port	78NUT15k	PA/GF
10.1	Permeate Port Body	78PP/BSP	PP/GF
10.2	NUT 1.5inch	78NUT15Z	PA PVC
10.3	PP Adapter Nut	78UN/S15	PVC
10.4	PP Adapter	78UN/Exx	PVC/PP/SS
ELEMENT INTERFACE			
9.1	Element Adapter open	78ADxx	PPE
9.2	Element Adapter closed	78ADxx/C	PPE
9.4	NUT (chiming side)	78PP/S15AL	AL
9.5	Plug for chiming	18PP/CH-S3SW	PPE/TPE/PA
SUPPORT			
11	Element Spacer	78SPACE/SP	PPE
12	Saddle	58SADDLE70	PAGF
13	STRAP	58STRAP	316TI

*starting 01.01-16
 PP/GF parts can be replaced withHIPS/GF
 PVC-Liner can be replaced by HIPS
 without further notice



Dimensions SERIES 8 inch SIDEPORT Series3				
ELEM.	Vessel Type	L-Stich	L-HP	Tol -/+
1X40	SP8Z1M40-SXp-70	1381 (54.37)	1143 (45)	3/5 (0.12/0.2)
2X40	SP8Z2M40-SXp-70	2397 (94.37)	2159 (85)	3/5 (0.12/0.2)
3X40	SP8Z3M40-SXp-70	3413 (134.37)	3175 (125)	3/5 (0.12/0.2)
4X40	SP8Z4M40-SXp-70	4429 (174.37)	4191 (165)	3/5 (0.12/0.2)
5X40	SP8Z5M40-SXp-70	5445 (214.37)	5207 (205)	3/6 (0.12/0.24)
6X40	SP8Z6M40-SXp-70	6461 (254.37)	6223 (245)	3/6 (0.12/0.24)
7X40	SP8Z7M40-SXp-70	7477 (294.37)	7239 (285)	3/6 (0.12/0.24)

We recommend:
 1 to 4 elements 2saddles and 2 straps
 5 to 7 elements 3saddles and 2 straps
 Vessels for 60inch elements are available
 Dimensions are in mm
 Values in brackets [] are in inch

Important Note:
 Dimensions may be subject to be changed.
 Drawing not to be used for construction
 unless certified

use only glycerine for lubrication of sealing parts
 never use vaseline

Max: Working Pressure (bar/PSI)	70 /1000
Max. Working Temp. (°C / °F)	65 /150
Min. Working Temp. (°C / °F)	2 /36
Max Test Pressure (ASMEX) (bar/PSI)	77 /1100

1000 PSI

PAGE: 1/1

AnyChem™ Pressure Vessels
by Knappe Composites

Eng. Mgr.	O. Ass. Mgr.	DATUM:	REV:
SIG:	SIG:	25.05.04	1
		21.07.08	2
		27.07.08	3
		05.03.09	3.1
		01.01.16	4

Series 3p Seawater
Pressure Vessels 8inch

Name	SP8ZM40-SXP-70_R4	Scale: none
------	-------------------	-------------